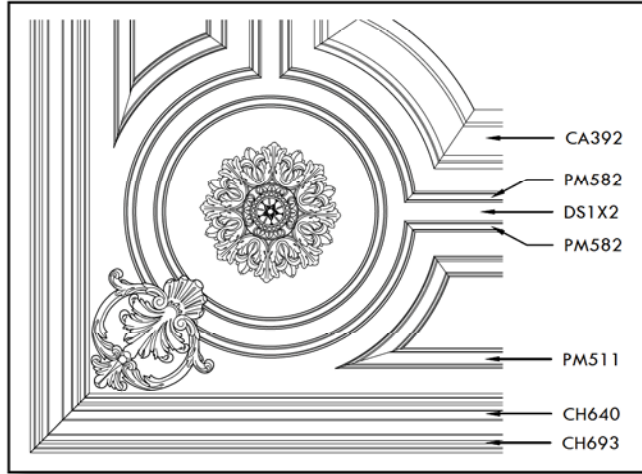


Design Elements Catalogs

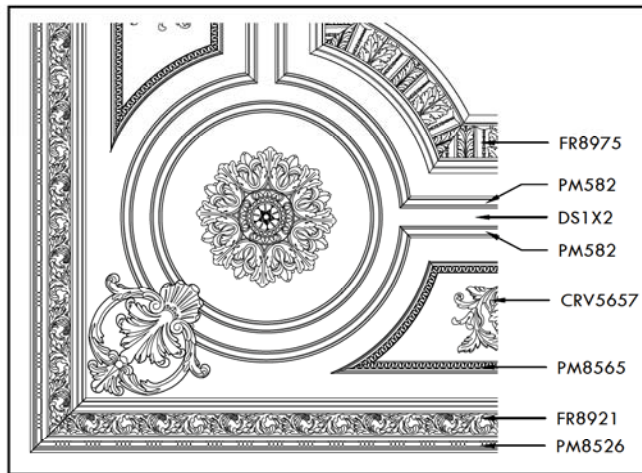
Style Made Easy Online by White River

White River's 10 online Design Elements Catalogs offer a wide variety of carefully considered and properly proportioned architectural elements. From intricate ceiling designs and panelled walls to mantels, door surrounds, cabinetry and more. White River's Design Team strives to offer a range of Traditional and Ornate Classically inspired designs. Included are the specifications that help you understand and make decisions about these important and lasting architectural elements for your interiors.

Traditional to Ornate Design Elements

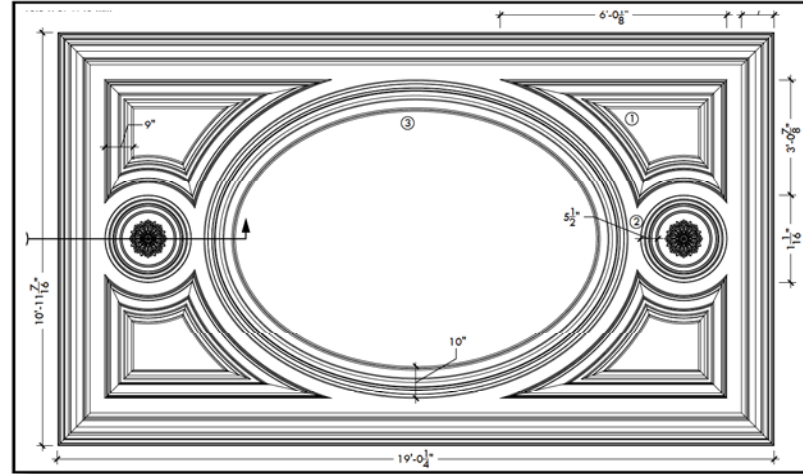


Complex, beautiful designs specifying in-stock products from our Traditional Moulding Collection and Woodcarvings

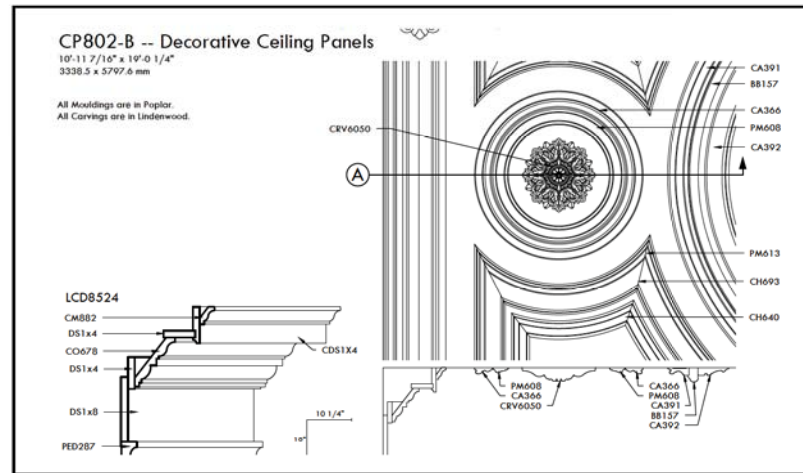


Ornate Classical motifs, specifying in-stock products from our Mon Reale® Moulding Collection and Woodcarvings

Reflected Ceiling Designs & Detailed Information



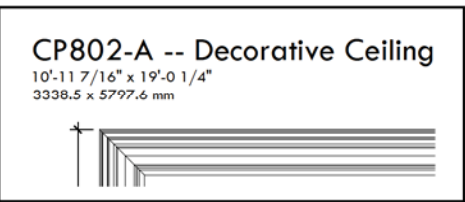
Reflected ceiling plan shows overall design and complete dimensions



Detailed information includes moulding section, size, product & installation specifications

Numbering System

- Individual Design Catalogs are in alphanumerical order. Examples - MAN952, MAN953, MAN954
- Design Elements that have multiple pages are denoted with an A or B. Examples - CAB150-A, CAB150-B, CP857-A, CP857-B
- Design Element numbers located top left corner of page



White River's Design Services

White River's Design Services can re-scale all designs to fit your wall and ceiling sizes. We can modify the design in any way needed. We can do a take-off and offer a quote for one room or your entire job. This is a fee-based service. To request a CAD dwg file of design elements from all catalogs, click on the Download CAD link request.

From the Flipbook

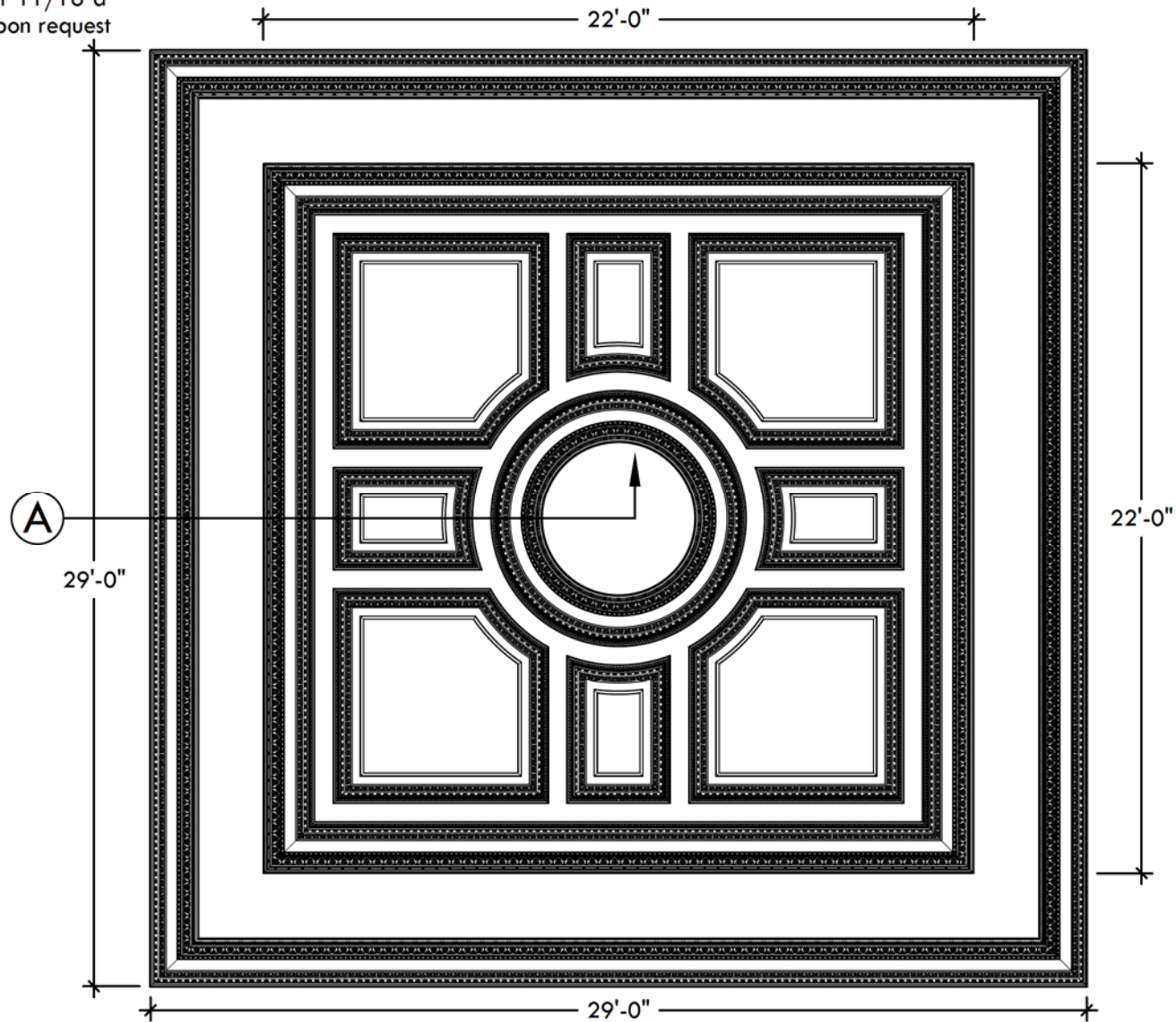
You can [Print](#) [Download](#) [Share](#) [Zoom](#)

Contact Us Today!

For more information, call (800) 558-0119 ext. 110 and ask for Design Services or email Designs@WhiteRiver.com.

BC700-A -- Decorative Beamed Ceilings

29'-0" w x 29'-0" h x 1'-1 11/16" d
CAD DWG available upon request

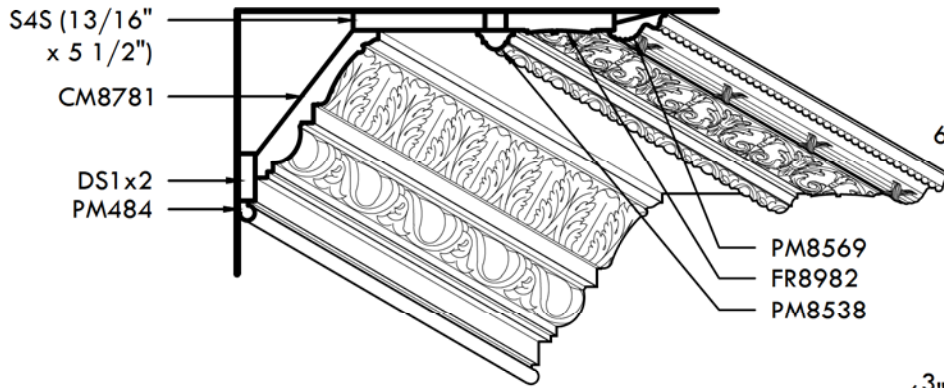


Cornice designed for a 19'h ceiling, but can be adapted to other heights.

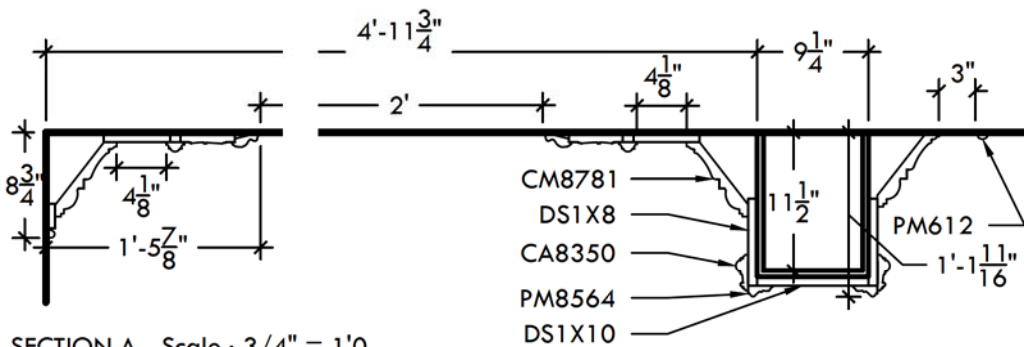
See page BC700-B for ceiling details.

BC700-B -- Decorative Beamed Ceilings

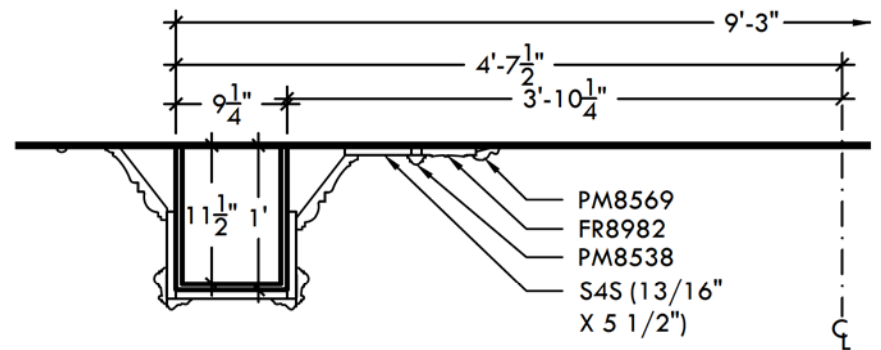
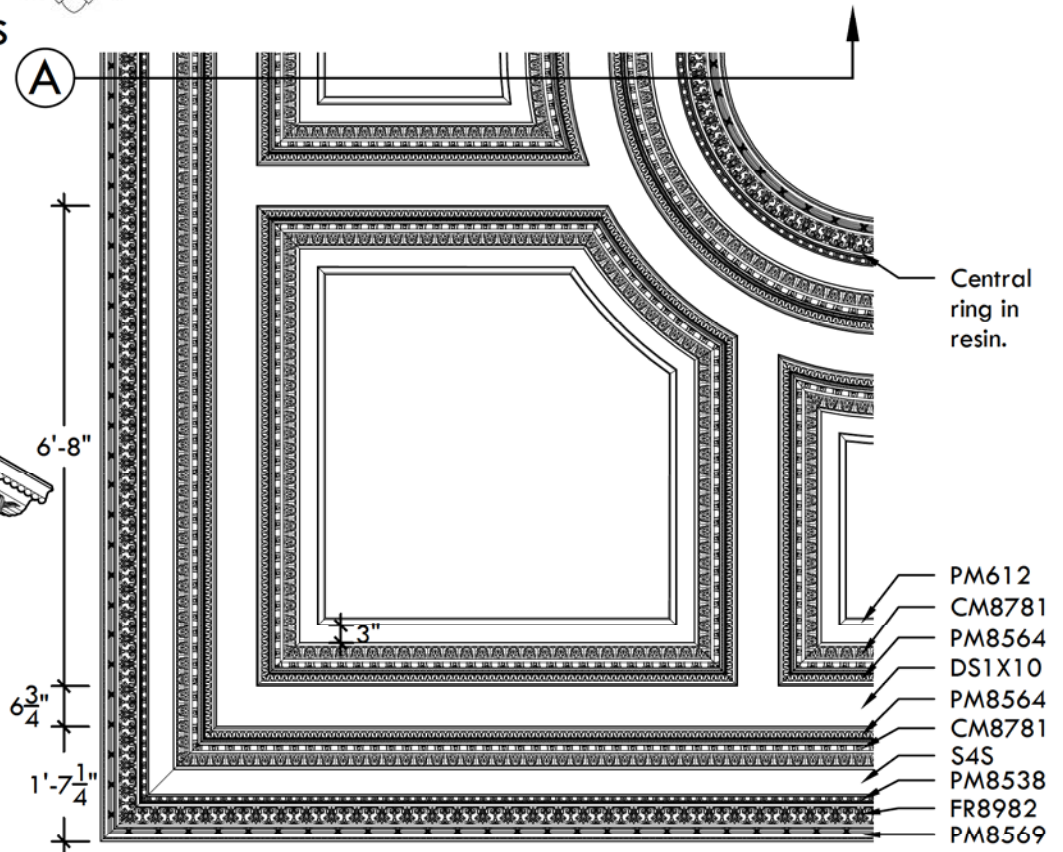
All mouldings are in Poplar or resin
CAD DWG available upon request



CORNICE DETAIL - Scale : 1 1/2" = 1'0



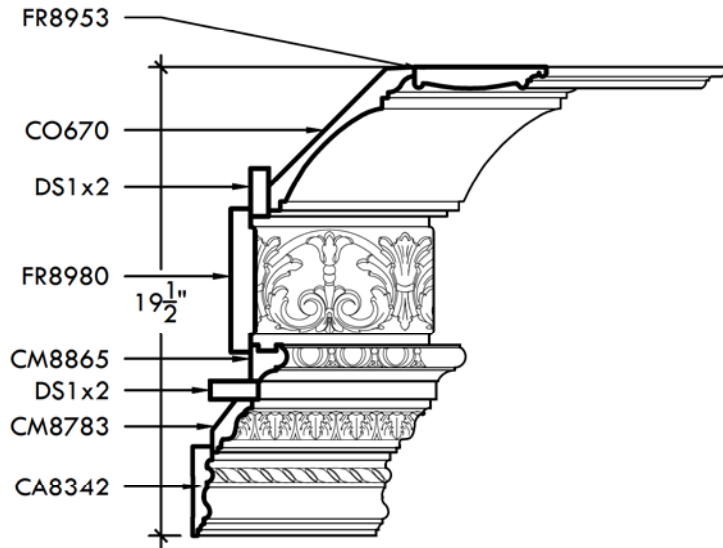
SECTION A - Scale : 3/4" = 1'0
See cornice detail above



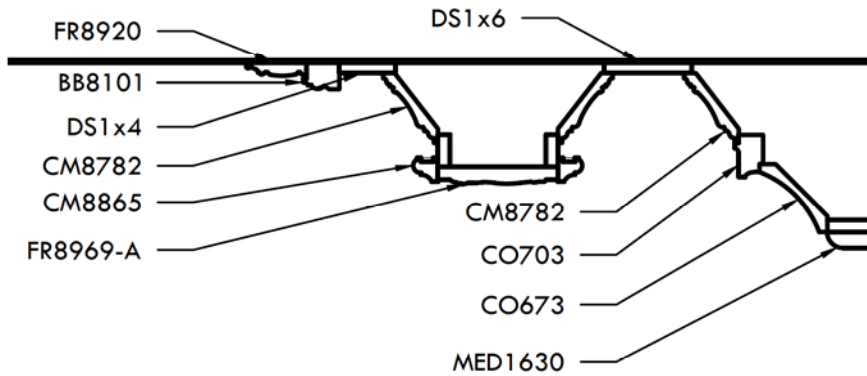
See page BC700-A
for entire ceiling.

BC701-B -- Decorative Beamed Ceilings

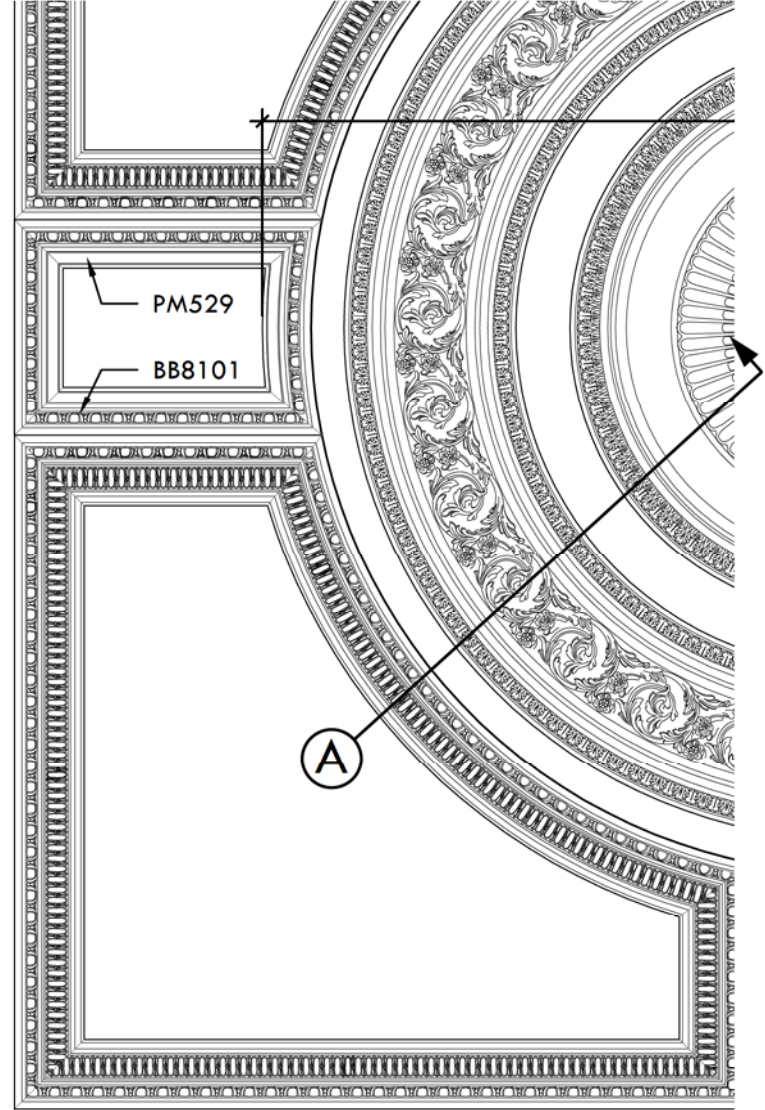
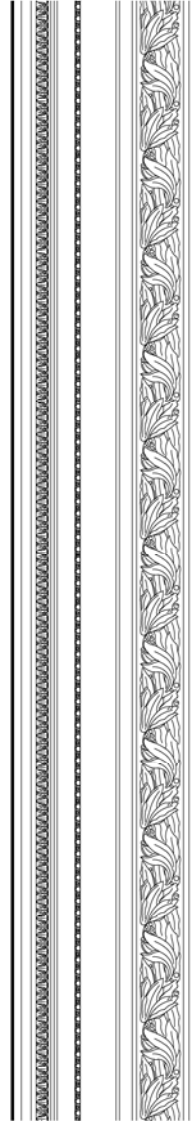
15'-9 3/8"w x 14'-11 1/8"h x 1'-7 1/2"d
 CAD DWG available upon request



CORNICE DETAIL A - Scale: 1 1/2" = 1'-0"
 *Proportioned for a 11' ceiling



SECTION A - Scale: 1 1/2" = 1'-0"



Ceiling designed for a 11' high ceiling but can be adapted to other heights.

See page BC701-A for entire ceiling

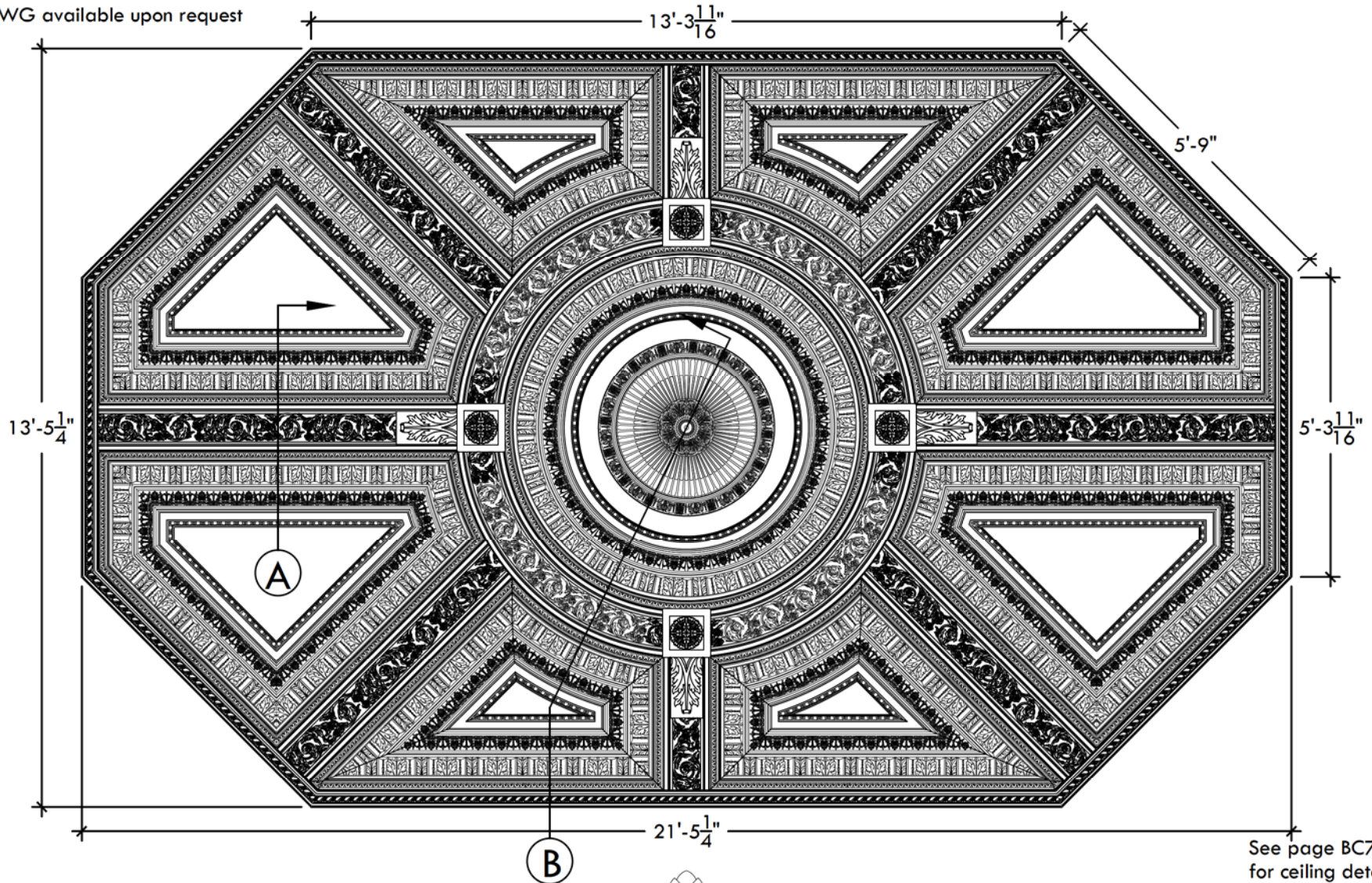
BC702-A -- Decorative Beamed Ceilings

Coffered Ceiling

21'-5 1/4" w x 13'-5 1/4" h x 12" d

6534.2 x 4095.8 x 304.8 mm

CAD DWG available upon request



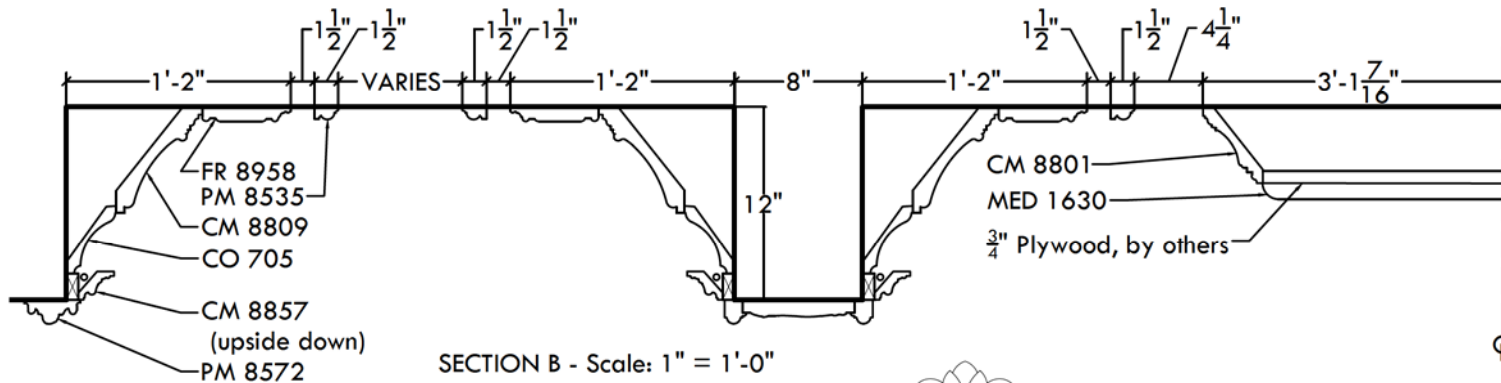
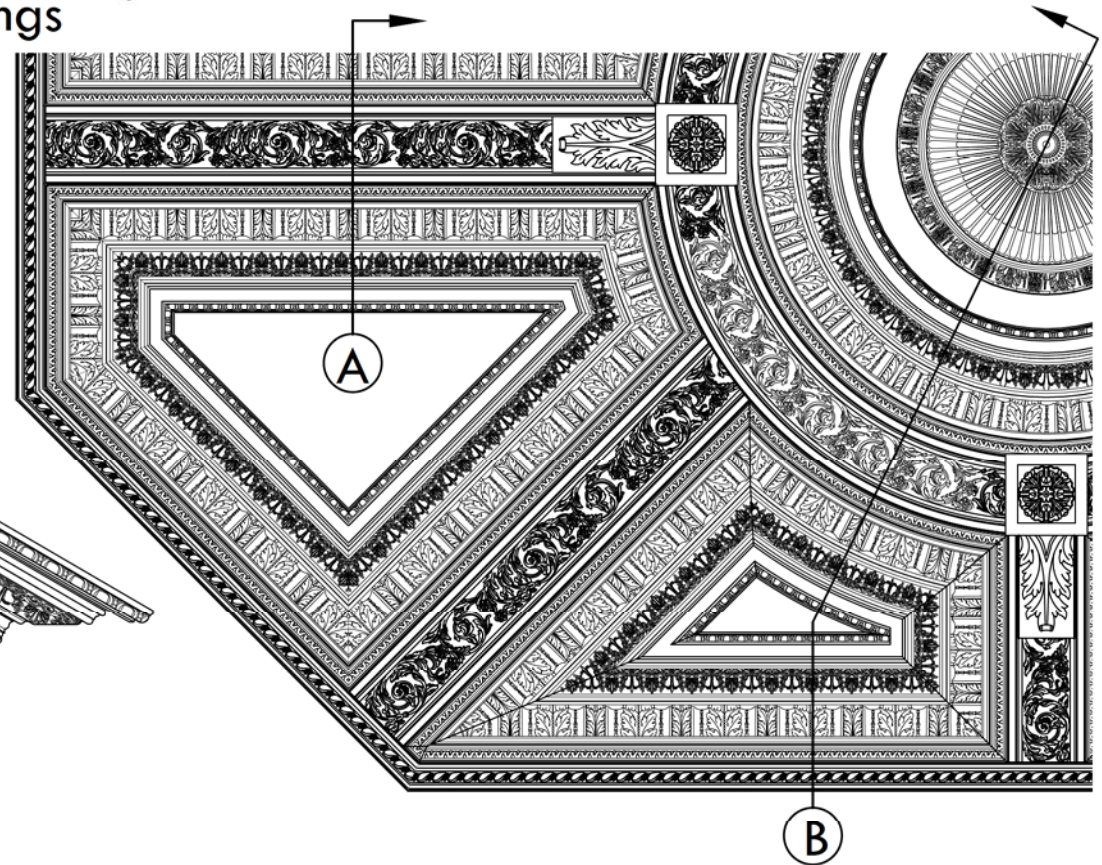
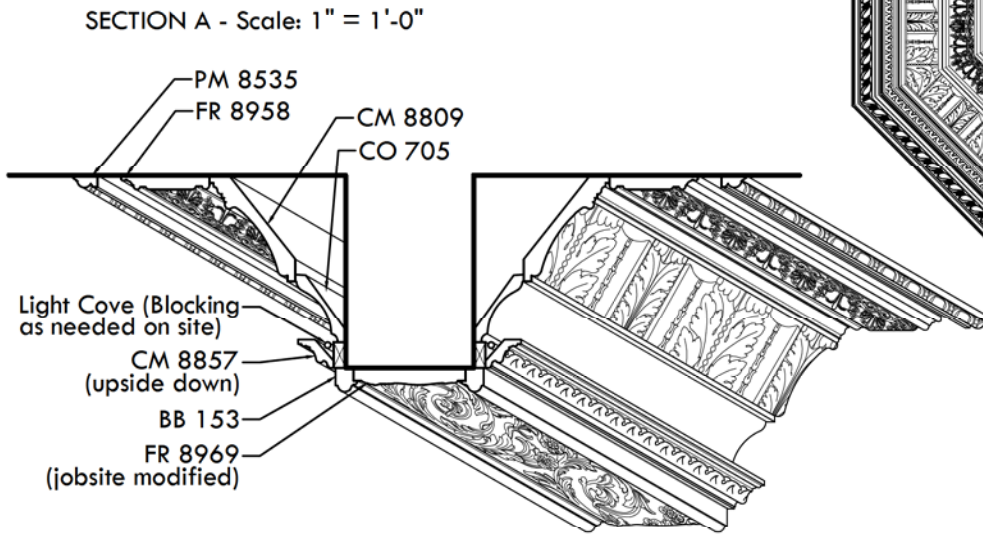
BC702-B -- Decorative Beamed Ceilings

Coffered Ceiling

21'-5 1/4"w x 13'-5 1/4"h x 12"d

6534.2 x 4095.8 x 304.8 mm

CAD DWG available upon request

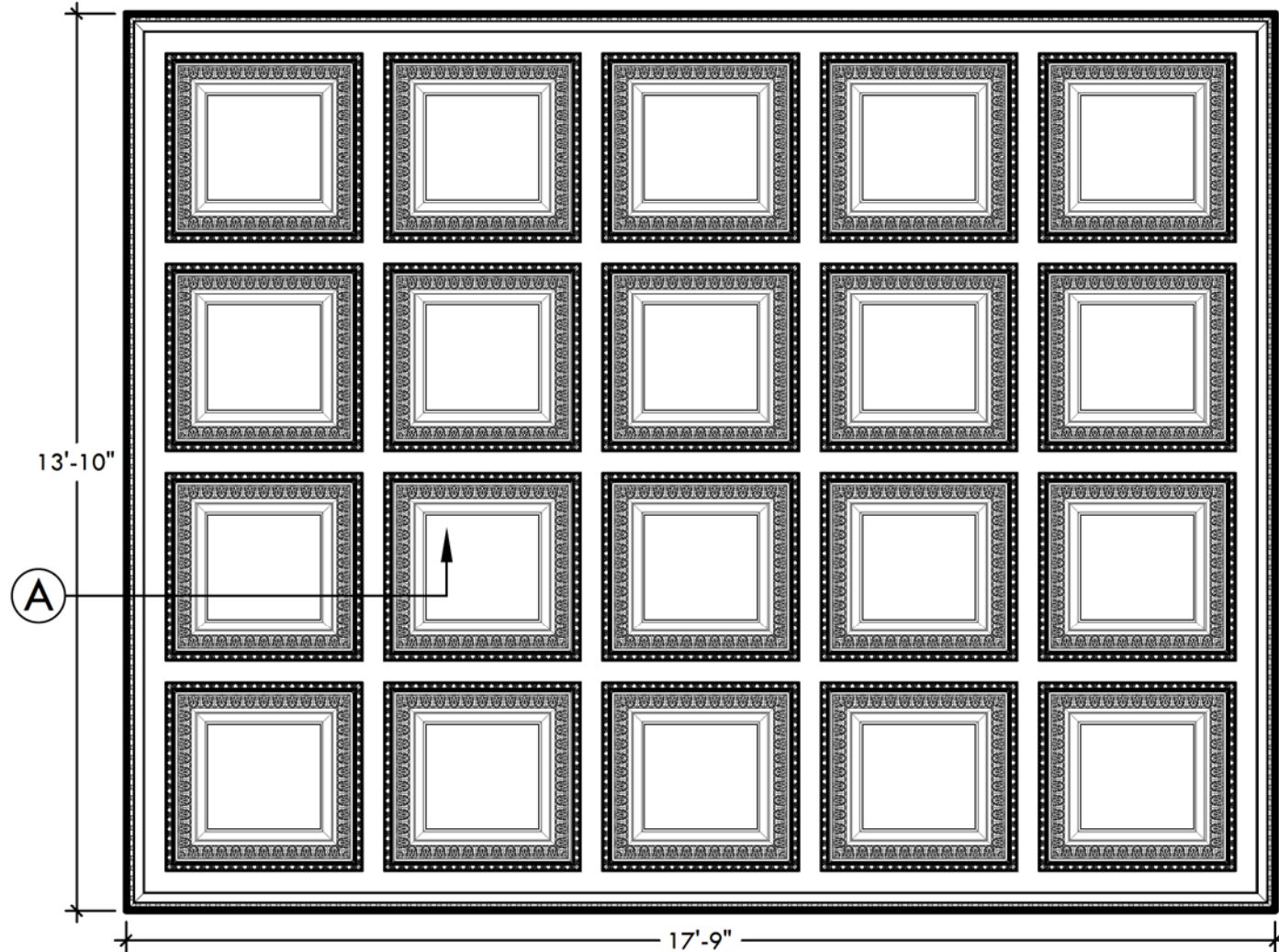


See page BC702-A for entire ceiling.

BC703-A -- Decorative Beamed Ceilings

17'-9"w x 13'-10"h x 10 1/4"d

CAD DWG available upon request

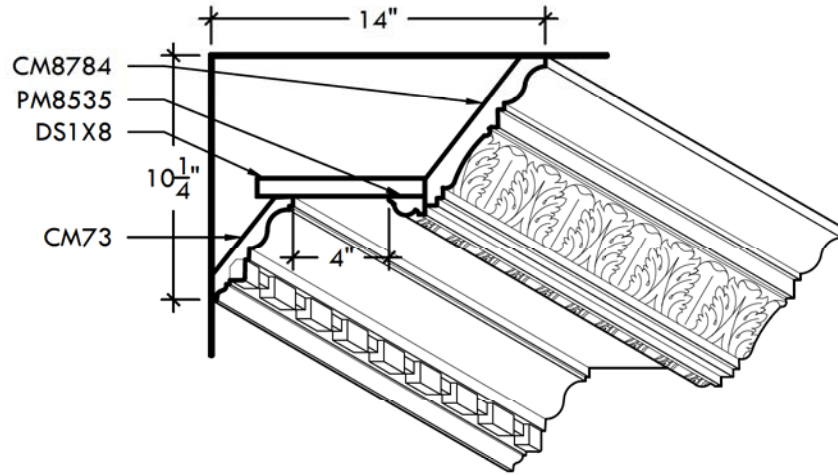


Cornice designed for a 10'h ceiling, but can be adapted to other heights.

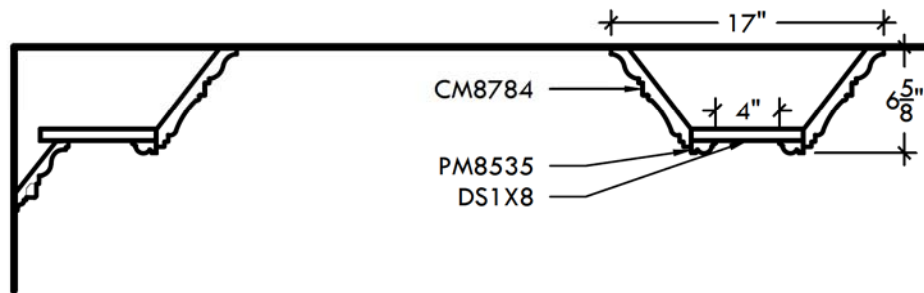
See page BC703-B for ceiling details.

BC703-B -- Decorative Beamed Ceiling

All mouldings are in Poplar
CAD DWG available upon request

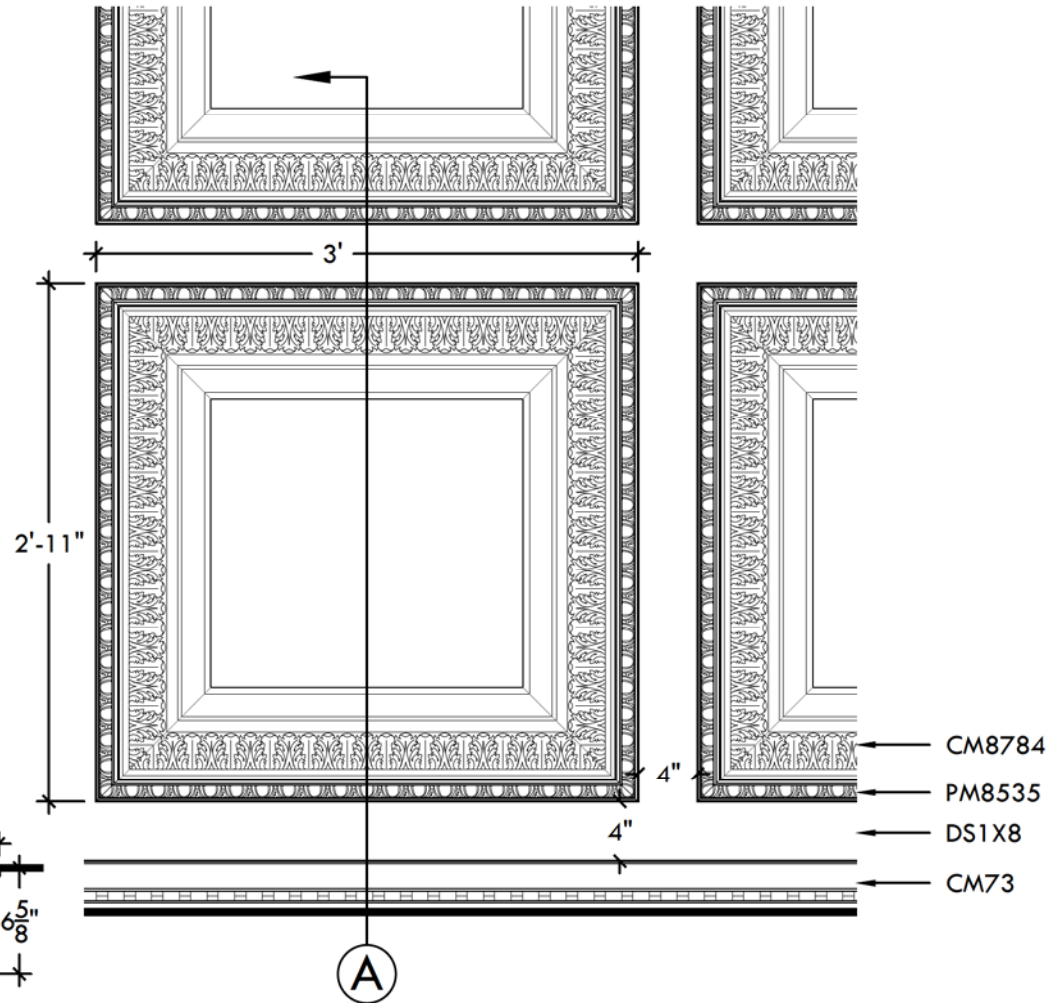


CORNICE DETAIL - Scale : 1 1/2" = 1'0



SECTION A - Scale : 1" = 1'0

See cornice detail above



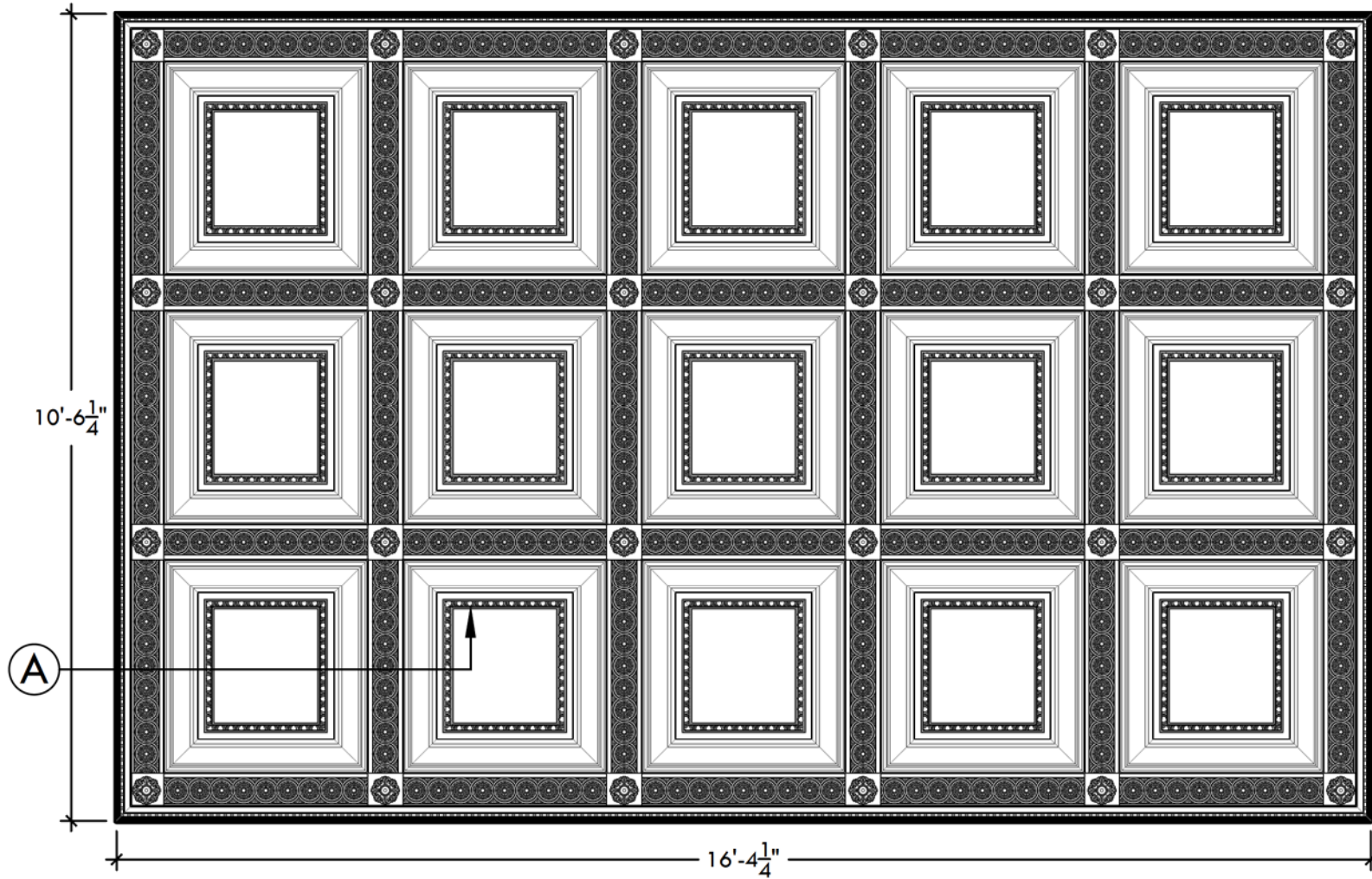
See page BC703-A
for entire ceiling.

BC704-A -- Decorative Beamed Ceilings

16'-4 1/4"w x 10'-6 1/4"h x 8 5/8"d

4984.8 x 3206.8 x 219.1 mm

CAD DWG available upon request



Cornice designed for a 10'h ceiling, but
can be adapted to other heights.

See page BC704-B
for ceiling details.

White River

Design Services Department

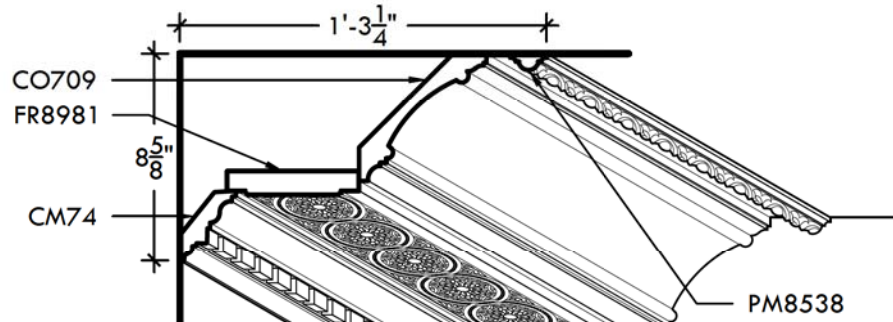
©White River Hardwoods-Woodworks, Inc.®

1-800-558-0119

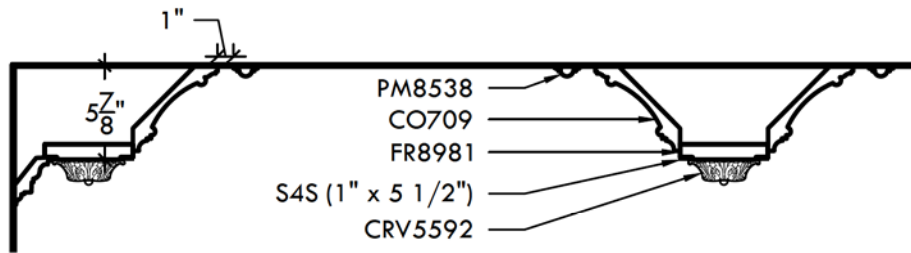
www.WhiteRiver.com

BC704-B -- Decorative Beamed Ceilings

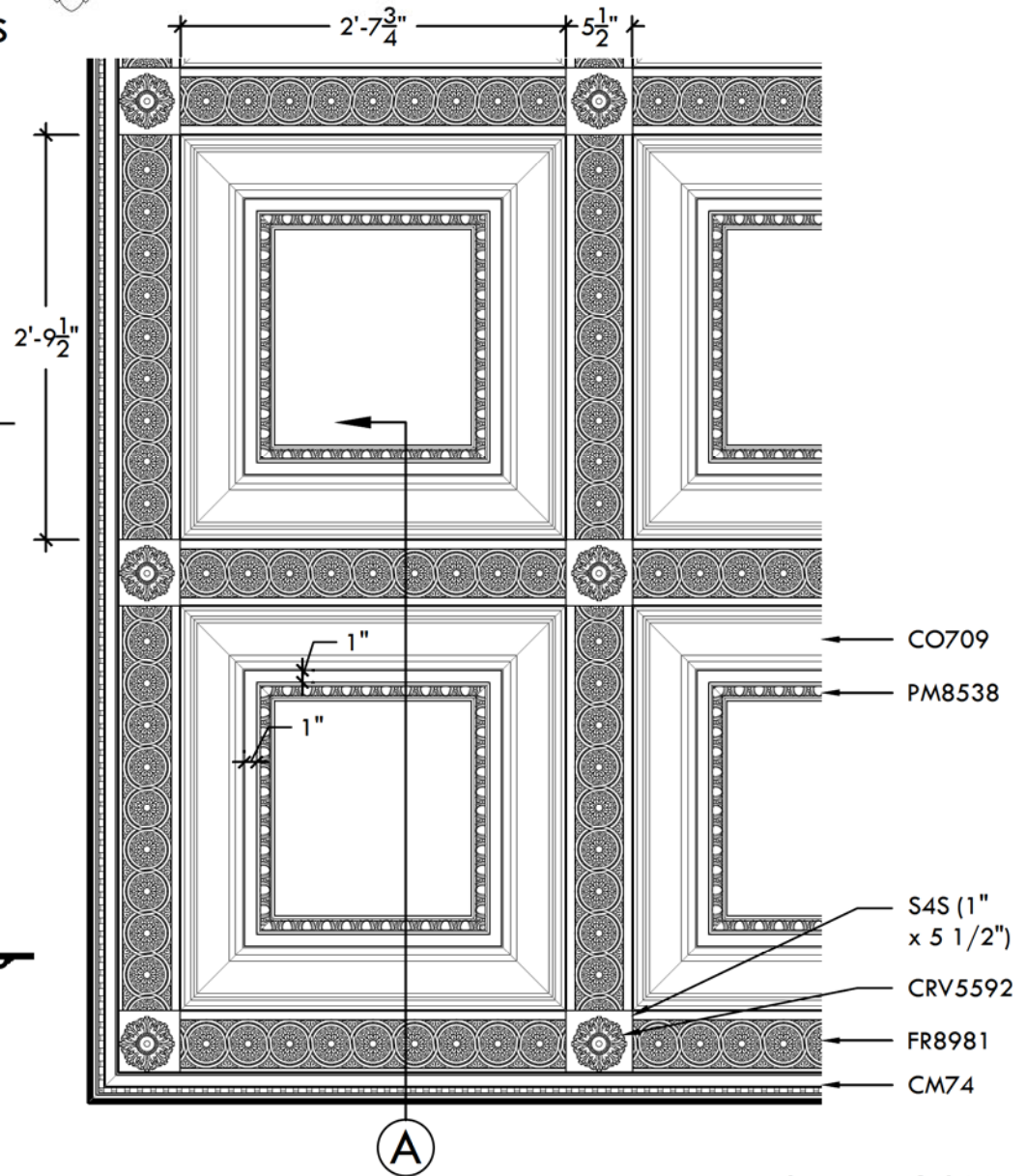
All mouldings are in Poplar
 All carvings are in Maple/Cherry
 CAD DWG available upon request



CORNICE DETAIL - Scale : 1 1/2" = 1'0



SECTION A - Scale : 1" = 1'0
 See cornice detail above

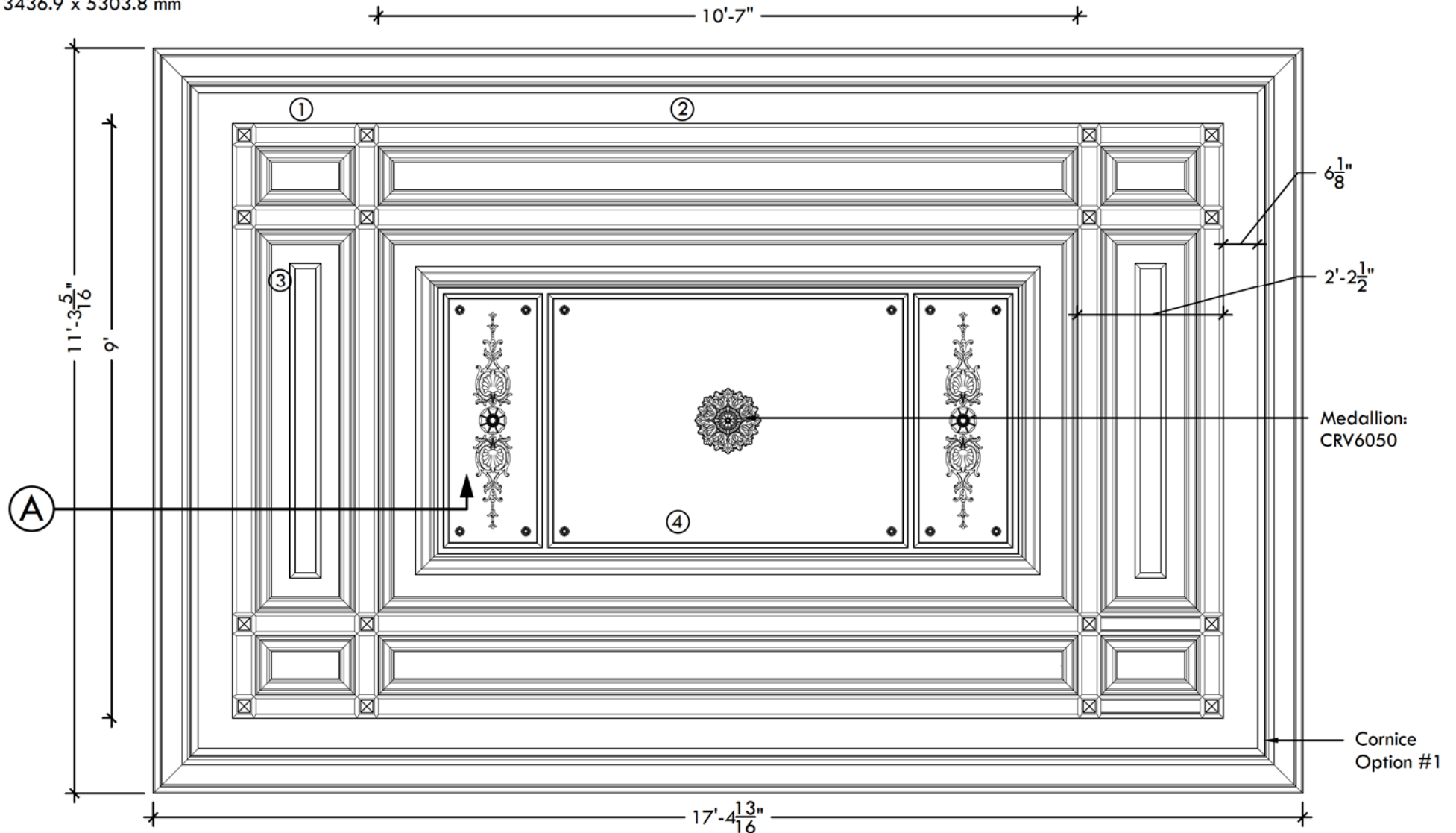


See page BC704-A
 for entire ceiling.

BC705-A -- Decorative Beamed Ceiling

11'3 5/16" x 17'4 13/16"

3436.9 x 5303.8 mm



Cornice options designed for a 9' h Ceiling, but can be adapted to other heights; Ceiling panels can be used on any ceiling height.

See Page BC705-B for Ceiling Details

BC705-B -- Decorative Beamed Ceiling

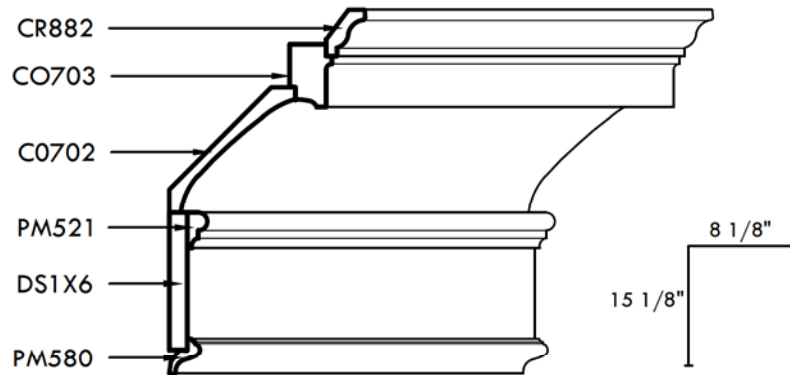
11'3 5/16" x 17'4 13/16"

3436.9 x 5303.8 mm

All Mouldings are in Poplar.

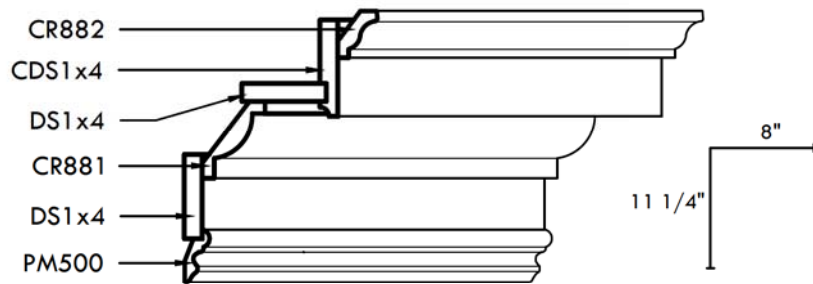
All Carvings in Lindenwood except CRV5586 - Maple/Cherry.

Option #1

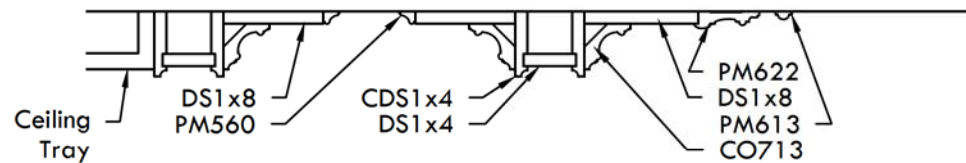
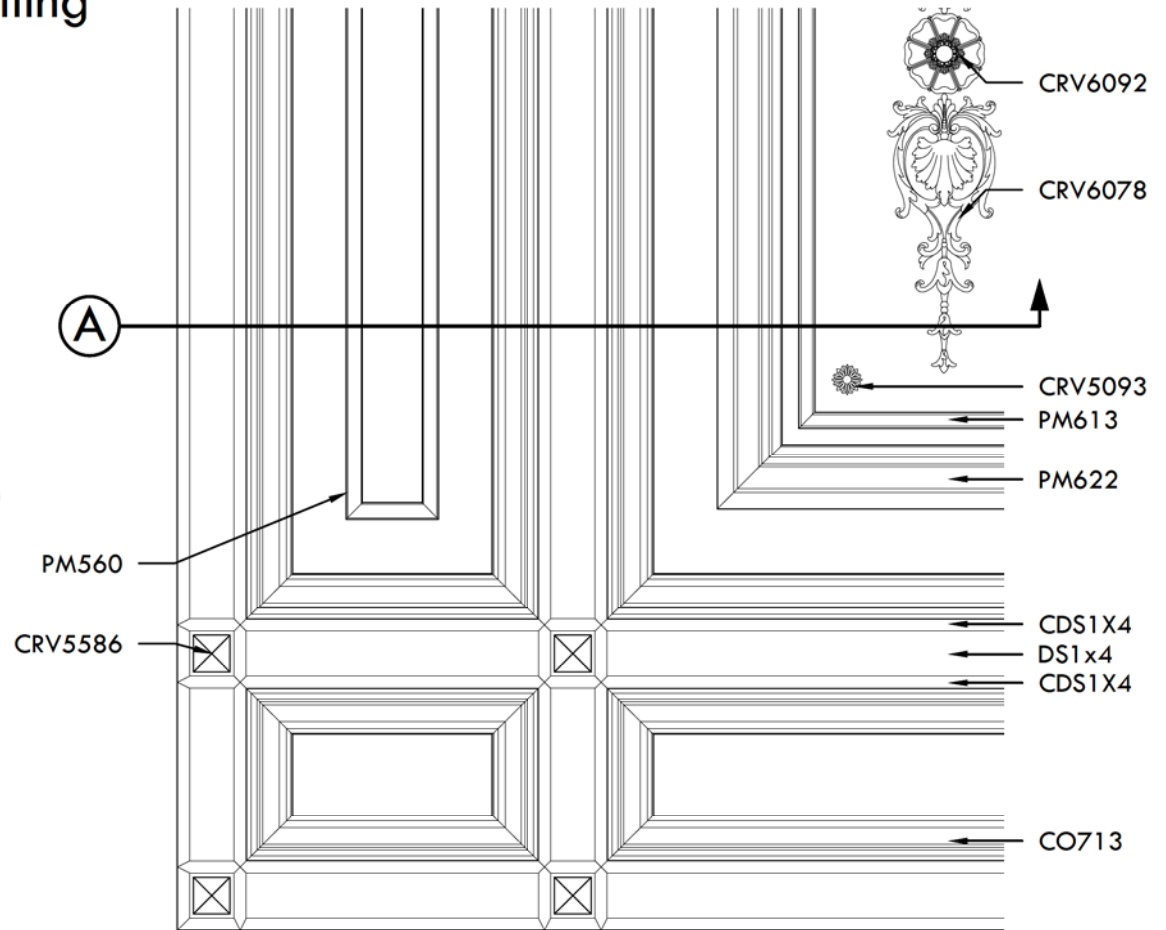


CORNICE DETAIL - Scale : 1 1/2" = 1'0"
*Proportioned for a 9' Ceiling

Option #2 LCD8072



CORNICE DETAIL - Scale : 1 1/2" = 1'0"
*Proportioned for a 9' Ceiling



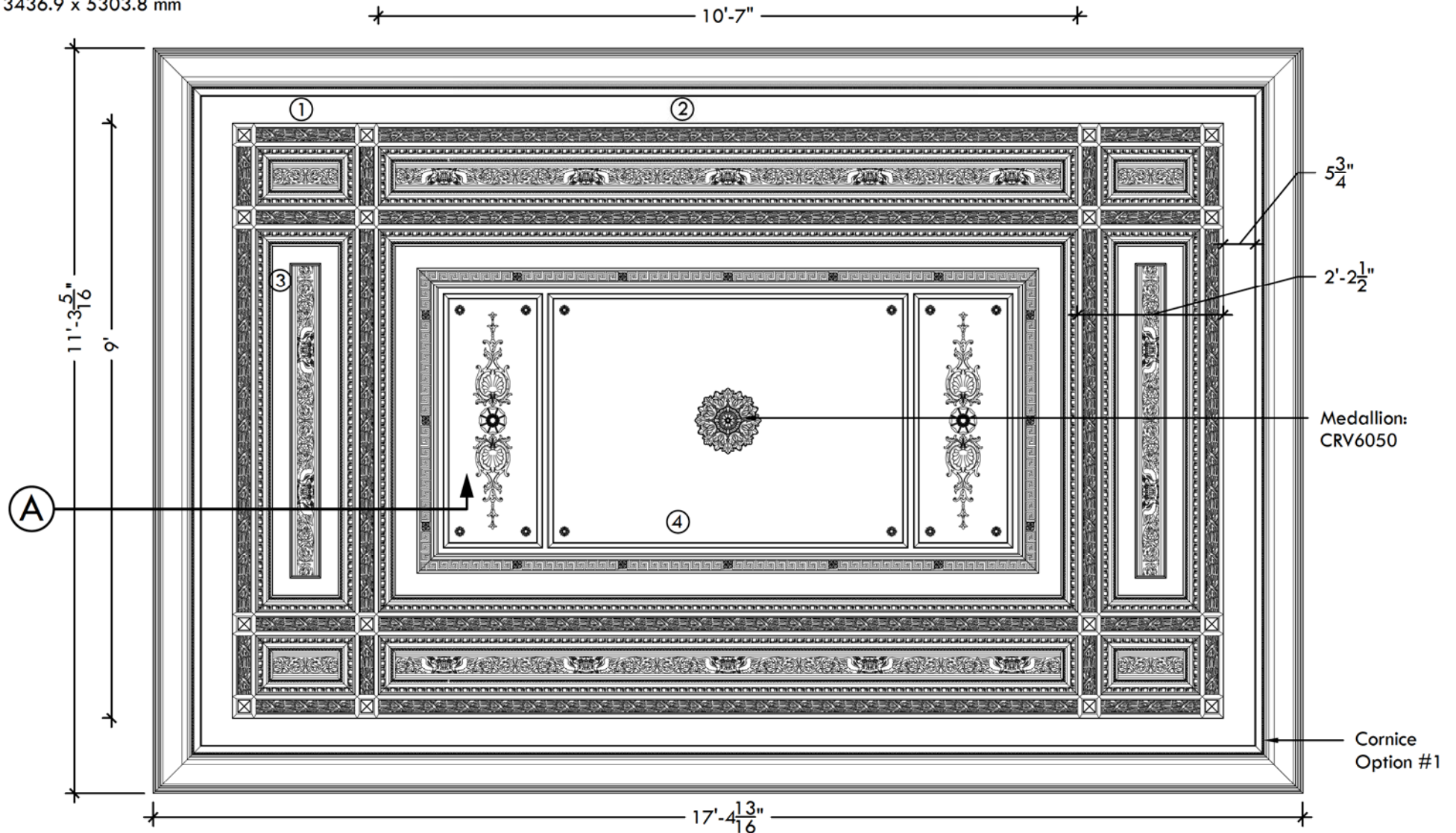
SECTION A - Scale : 3/4" = 1'0"
See Suggested Cornice Details at Left

See Page BC705-A
for Entire Ceiling

BC706-A -- Decorative Beamed Ceiling

11'3 5/16" x 17'4 13/16"

3436.9 x 5303.8 mm



Cornice options designed for a 9' h Ceiling, but can be adapted to other heights; Ceiling panels can be used on any ceiling height.

See Page BC706-B for Ceiling Details

BC706-B -- Decorative Ceiling Panels

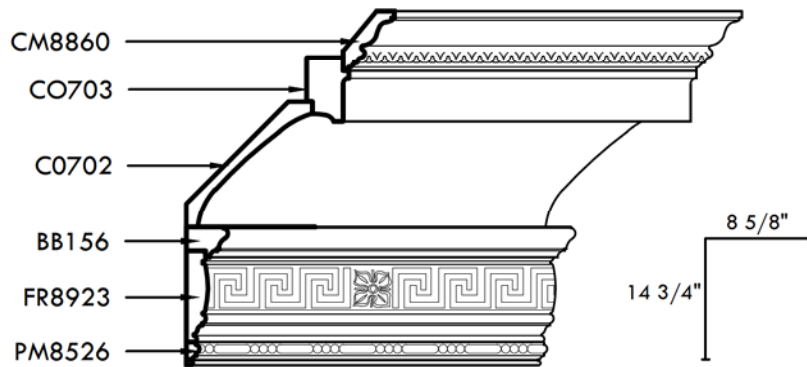
11'3 5/16" x 17'4 13/16"

3436.9 x 5303.8 mm

All Mouldings are in Poplar.

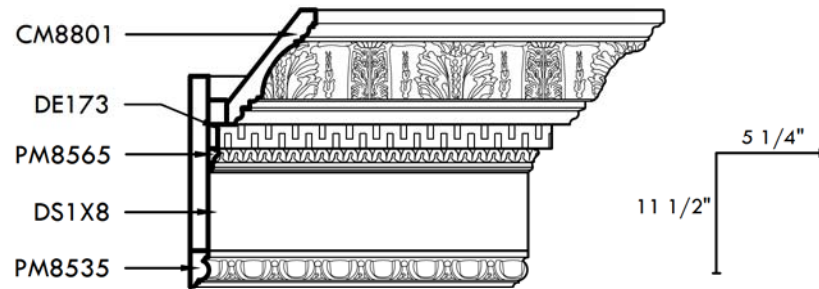
All Carvings in Lindenwood except CRV5586 - Maple/Cherry.

Option #1

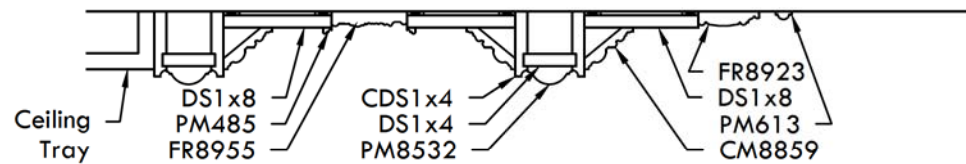
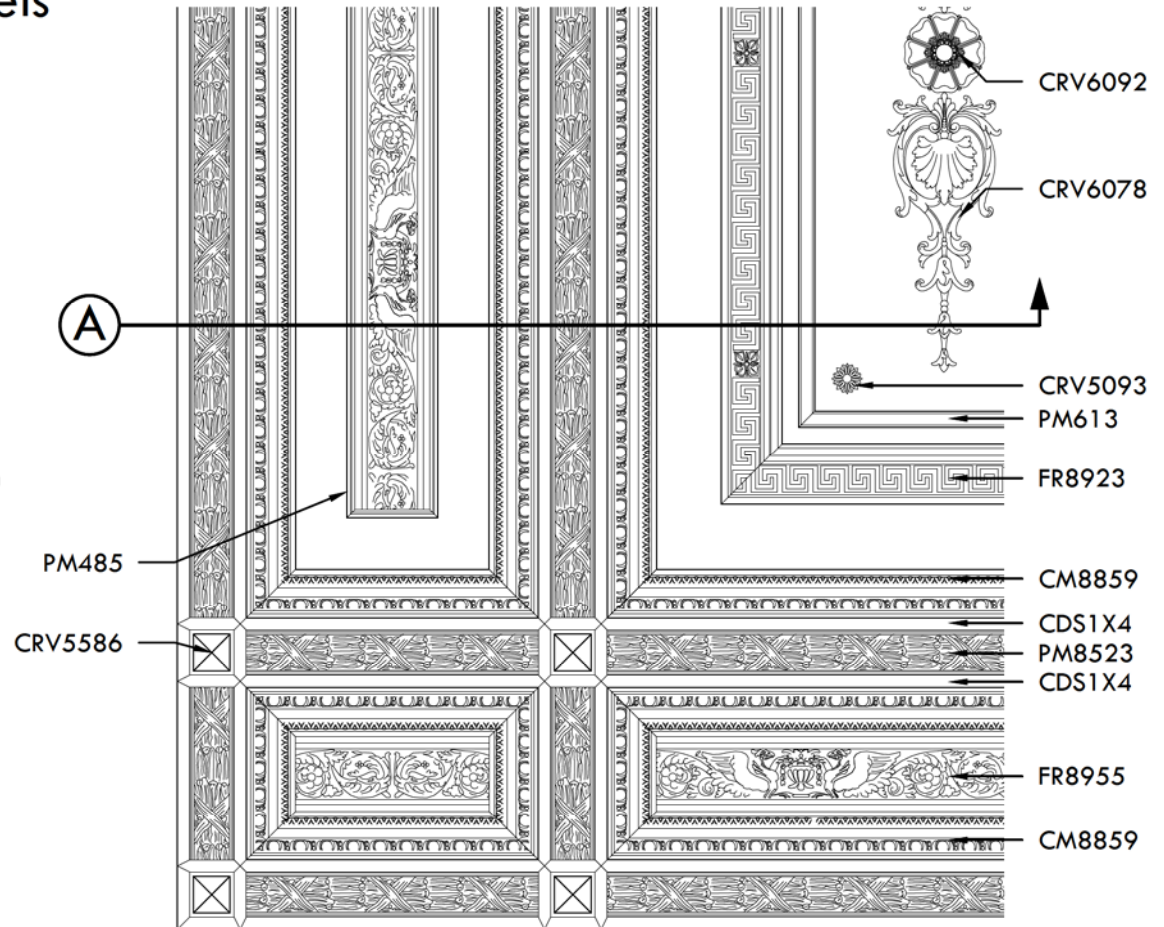


CORNICE DETAIL - Scale : 1 1/2" = 1'0
*Proportioned for a 9' Ceiling

Option #2 LCD8180



CORNICE DETAIL - Scale : 1 1/2" = 1'0
*Proportioned for a 9' Ceiling

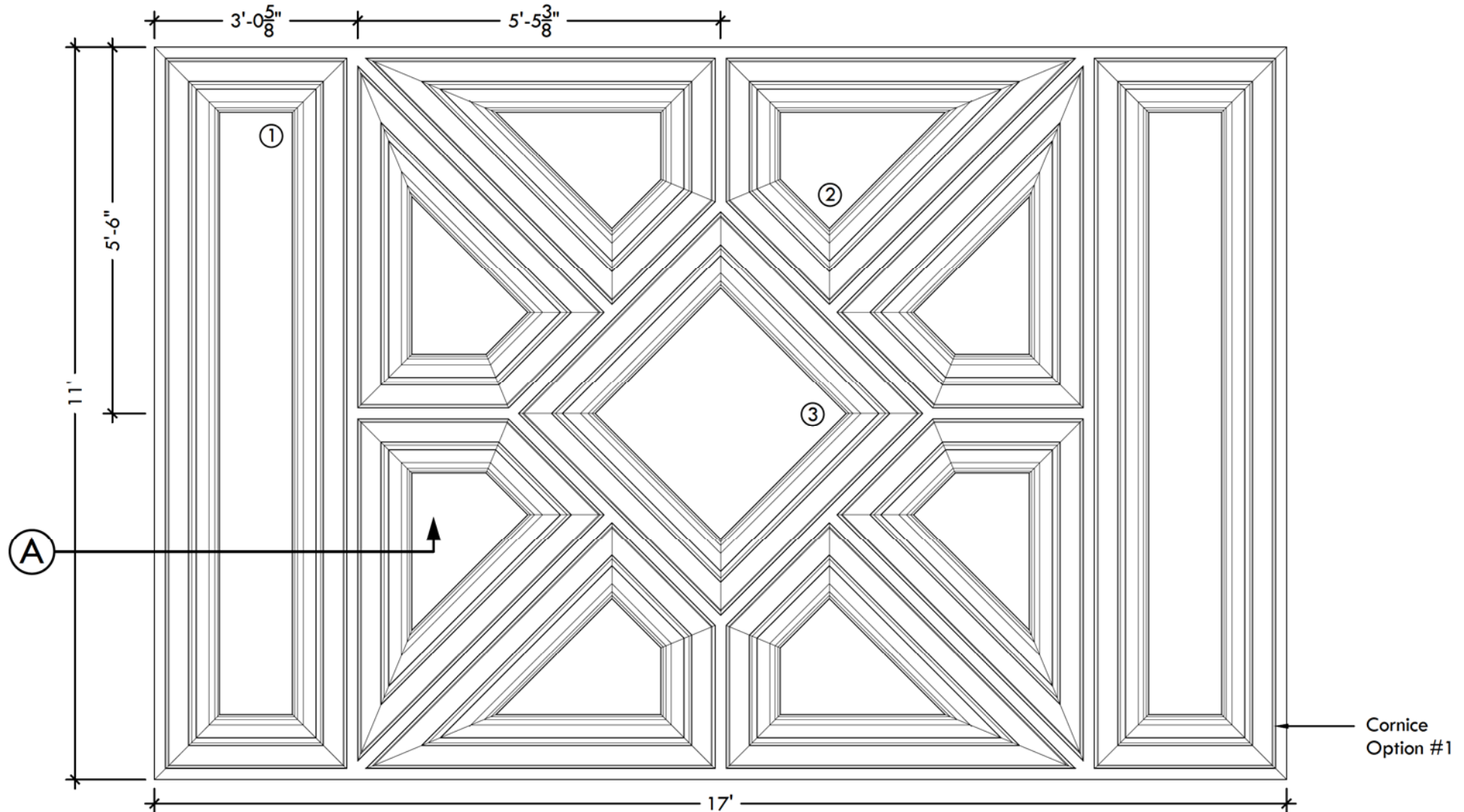


SECTION A - Scale : 3/4" = 1'0
See Suggested Cornice Details at Left

See Page BC706-A
for Entire Ceiling

BC707-A -- Decorative Beamed Ceiling

11'0" x 17'0"
3352.8 x 5181.6 mm



Cornice options designed for a 10' h Ceiling, but can be adapted to other heights; Ceiling panels can be used on any ceiling height.

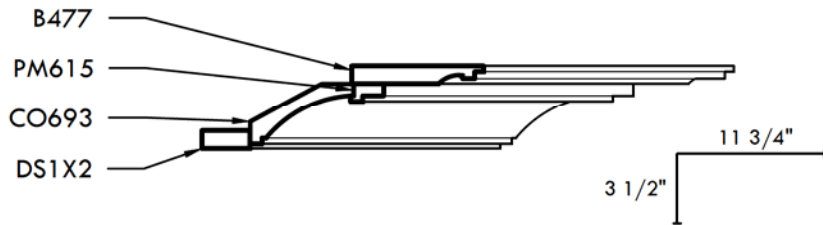
See Page BC707-B
for Ceiling Details

BC707-B -- Decorative Beamed Ceiling

11'0" x 17'0"
3352.8 x 5181.6 mm

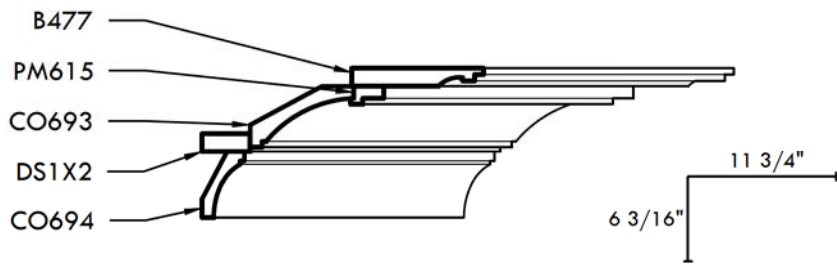
All Mouldings are in Poplar.

Option #1

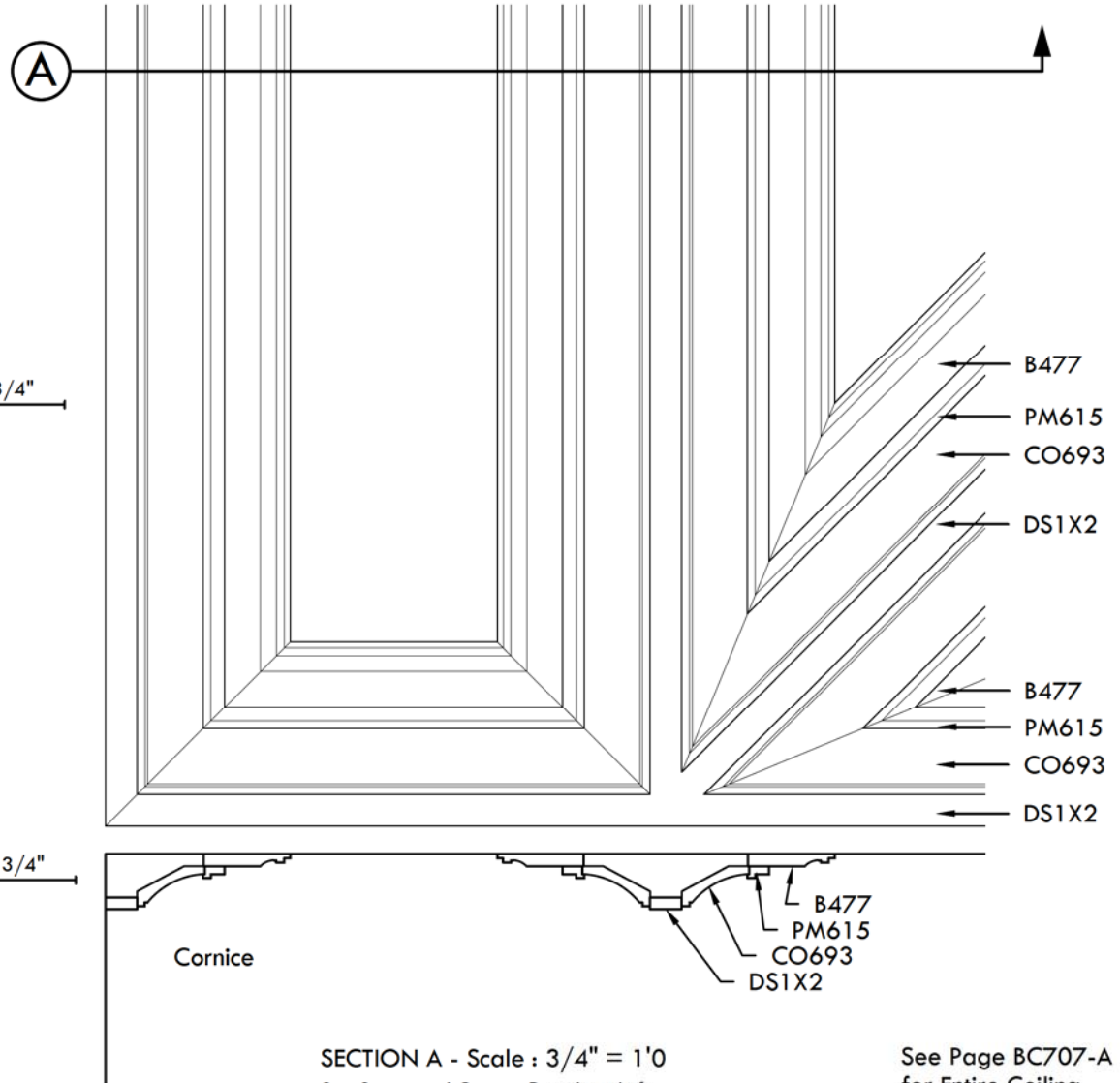


CORNICE DETAIL - Scale : 1 1/2" = 1'0"
*Proportioned for a 10' Ceiling

Option #2



CORNICE DETAIL - Scale : 1 1/2" = 1'0"
*Proportioned for a 10' Ceiling

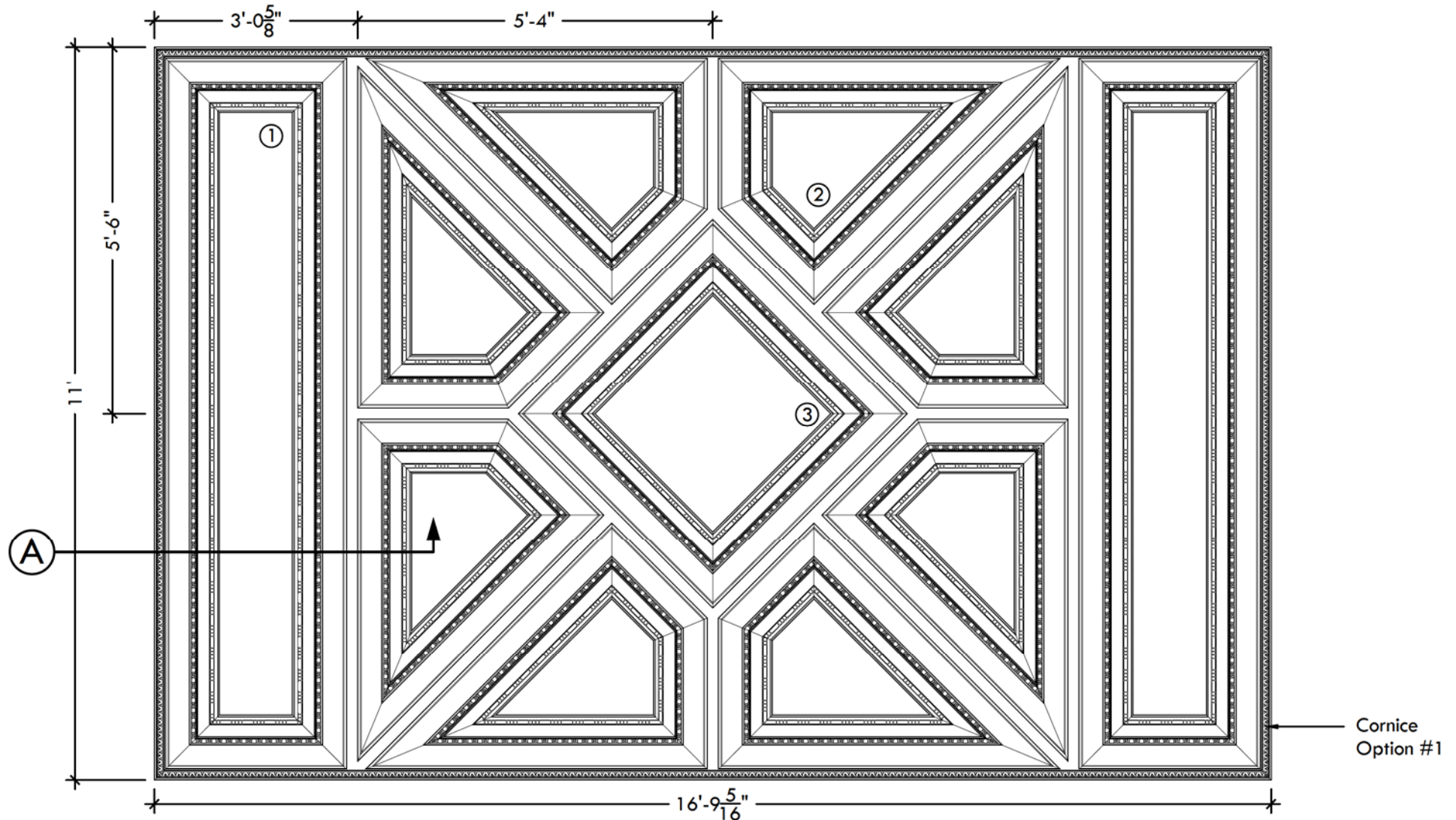


SECTION A - Scale : 3/4" = 1'0"
See Suggested Cornice Details at Left

See Page BC707-A
for Entire Ceiling

BC708-A -- Decorative Beamed Ceiling

11'0" x 16'9 5/16"
3352.8 x 5113.3 mm



Cornice options designed for a 10' h Ceiling, but can be adapted to other heights; Ceiling panels can be used on any ceiling height.

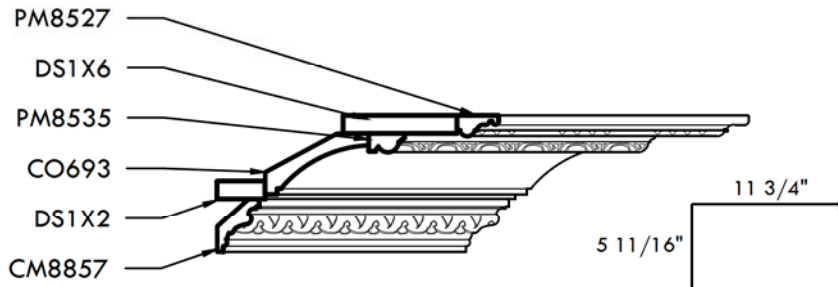
See Page BC708-B
for Ceiling Details

BC708-B -- Decorative Beamed Ceiling

11'0" x 17'0"
3352.8 x 5181.6 mm

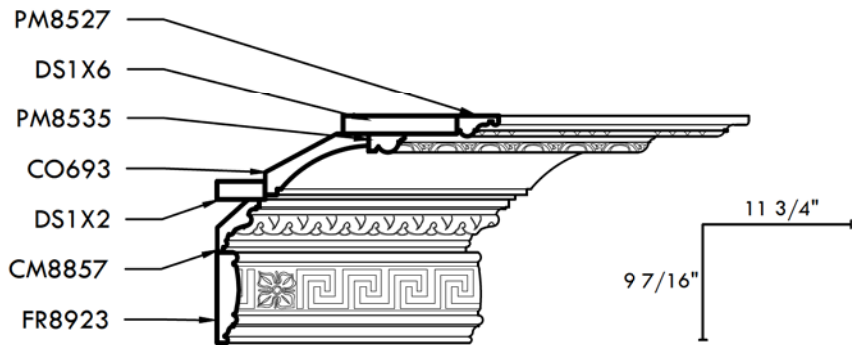
All Mouldings are in Poplar.

Option #1

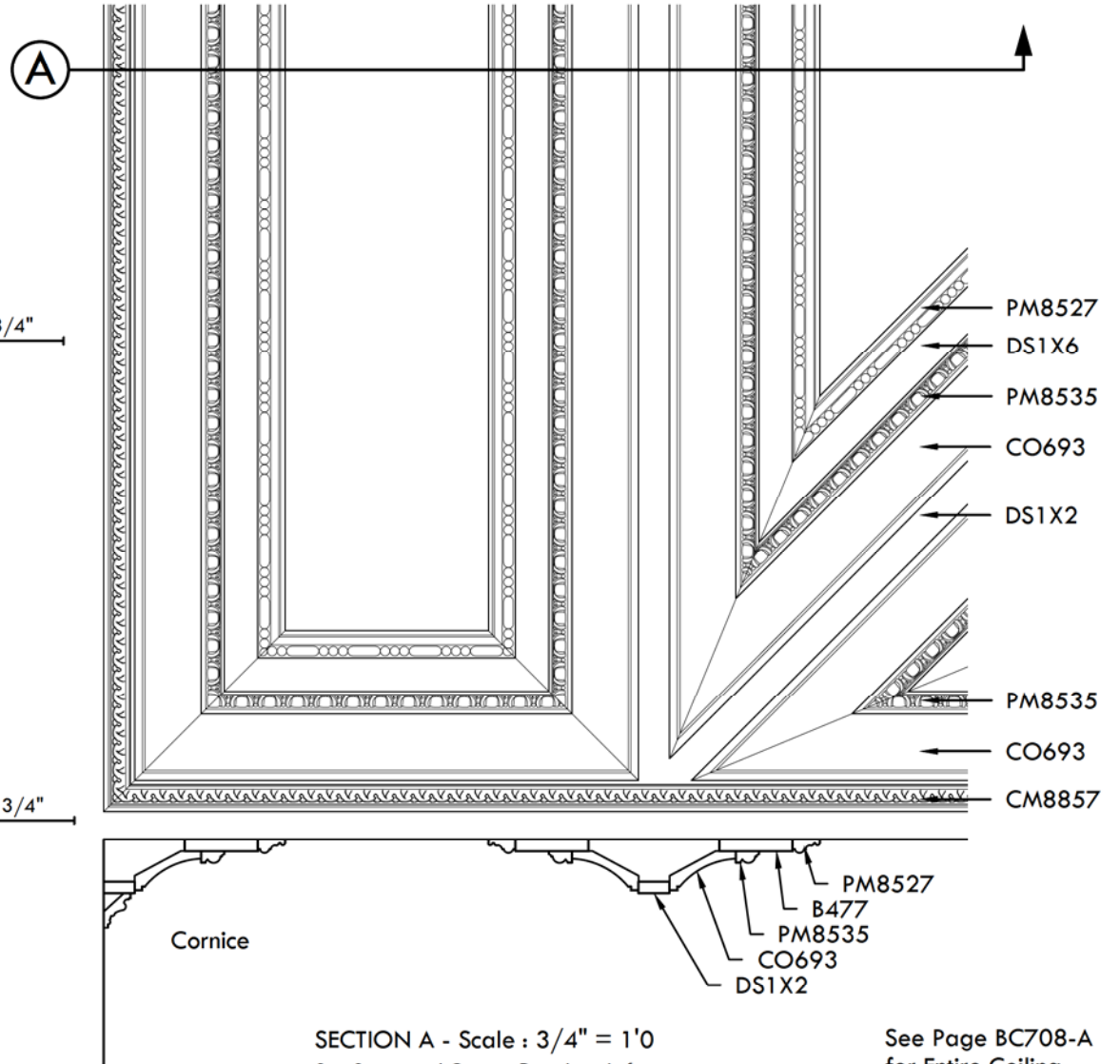


CORNICE DETAIL - Scale : 1 1/2" = 1'0"
*Proportioned for a 10' Ceiling

Option #2



CORNICE DETAIL - Scale : 1 1/2" = 1'0"
*Proportioned for a 10' Ceiling



SECTION A - Scale : 3/4" = 1'0"
See Suggested Cornice Details at Left

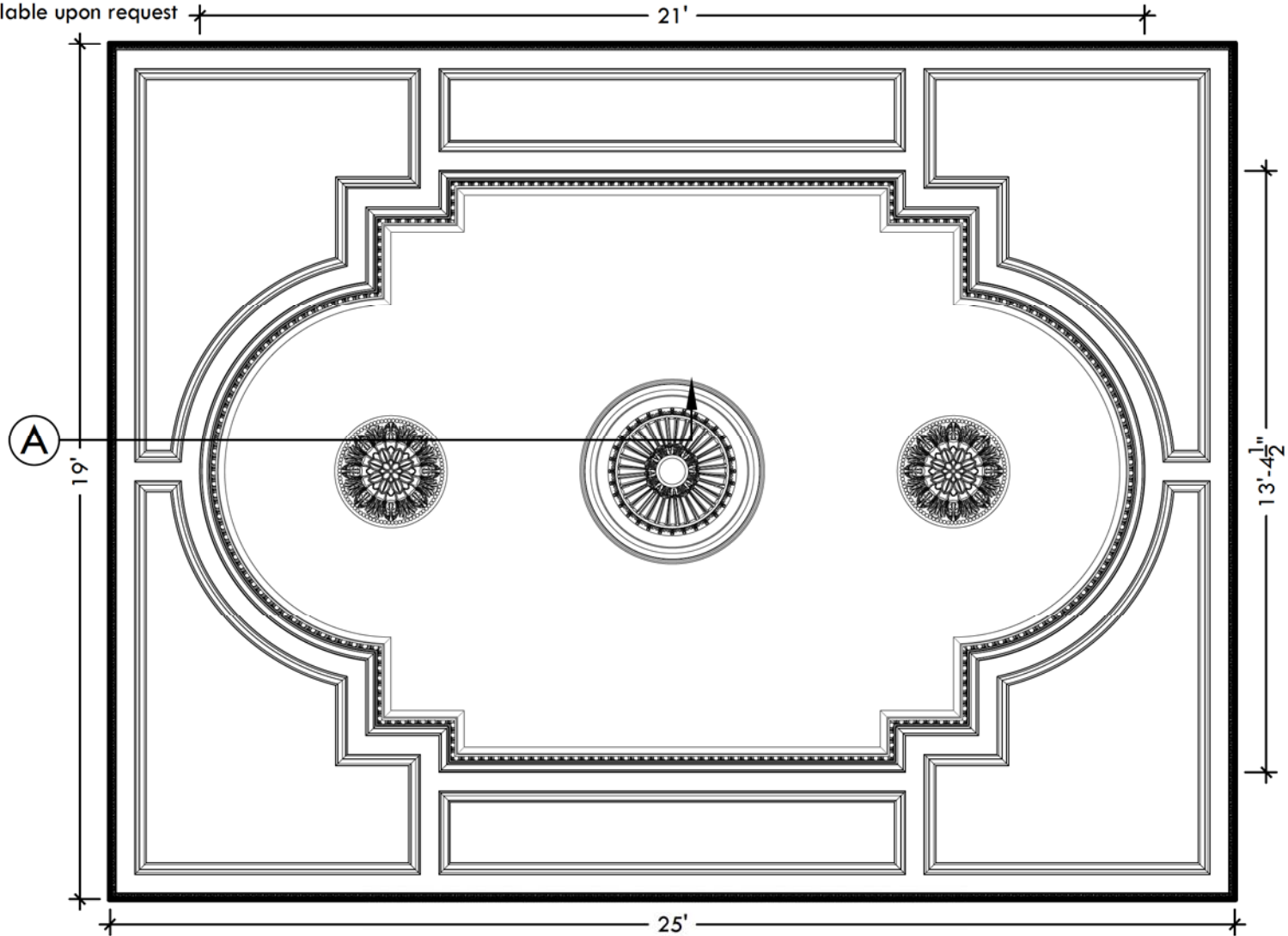
See Page BC708-A
for Entire Ceiling

BC709-A -- Decorative Tray Ceilings

25'-0" w x 19'-0" h x 10" d

7620.0 x 5791.2 x 254 mm

CAD DWG available upon request

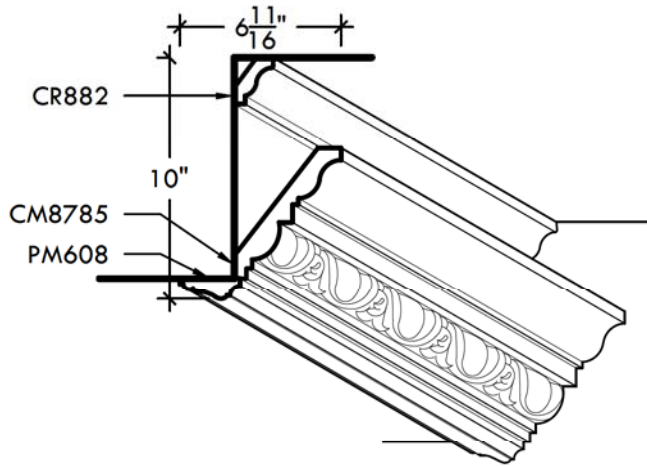


Cornice designed for a 10'h ceiling, but can be adapted to other heights.

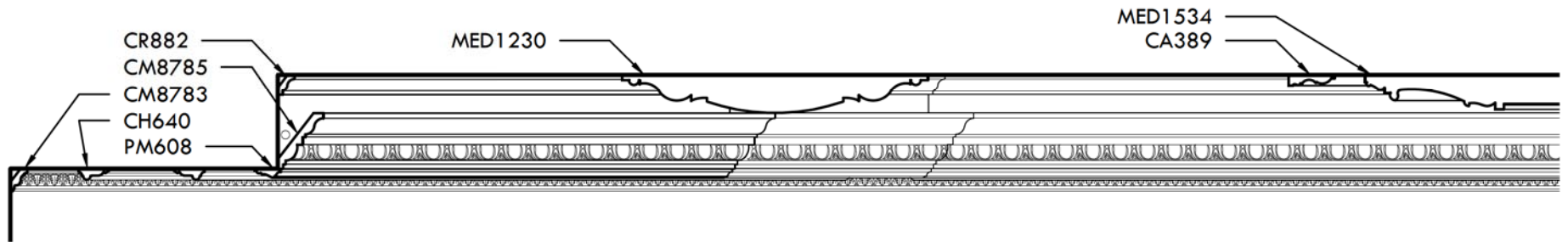
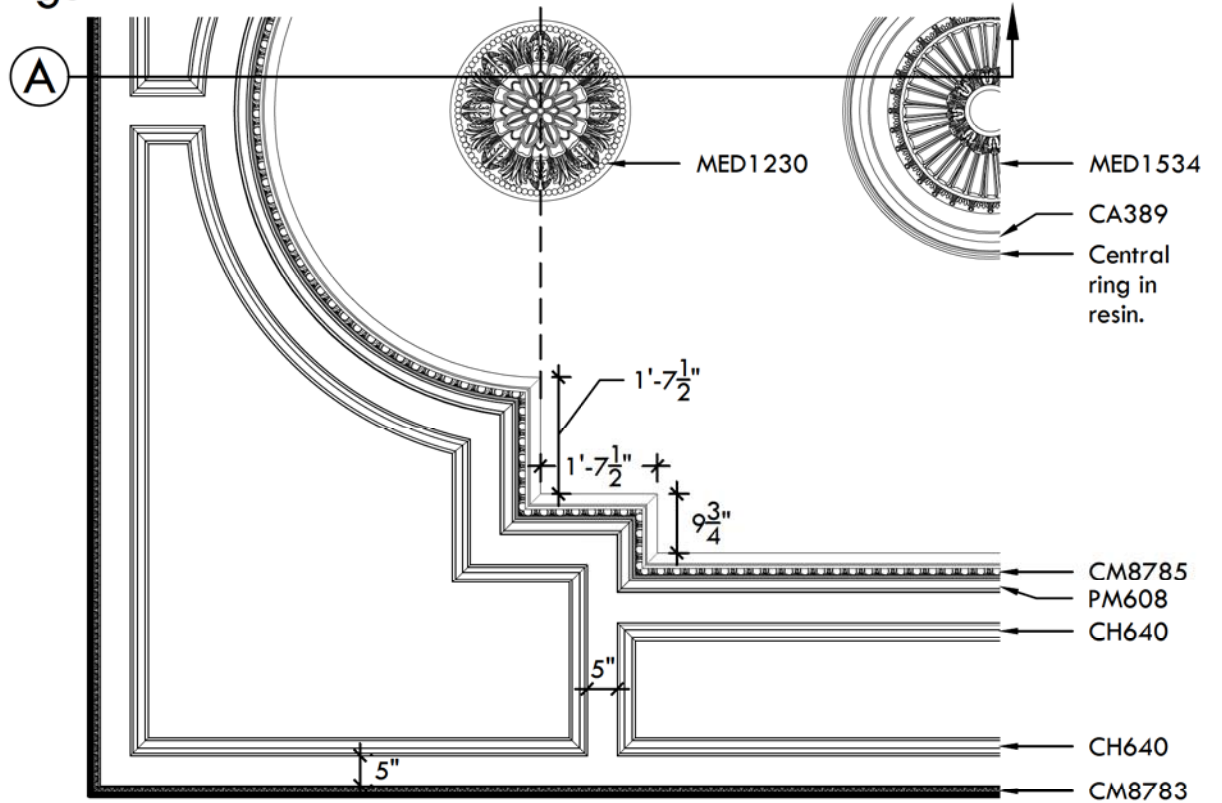
See page BC709-B for ceiling details.

BC709-B -- Decorative Tray Ceilings

All mouldings are in Poplar or resin
CAD DWG available upon request



CORNICE DETAIL - Scale : 1 1/2" = 1'-0"



SECTION A - Scale : 3/4" = 1'0

See cornice detail above

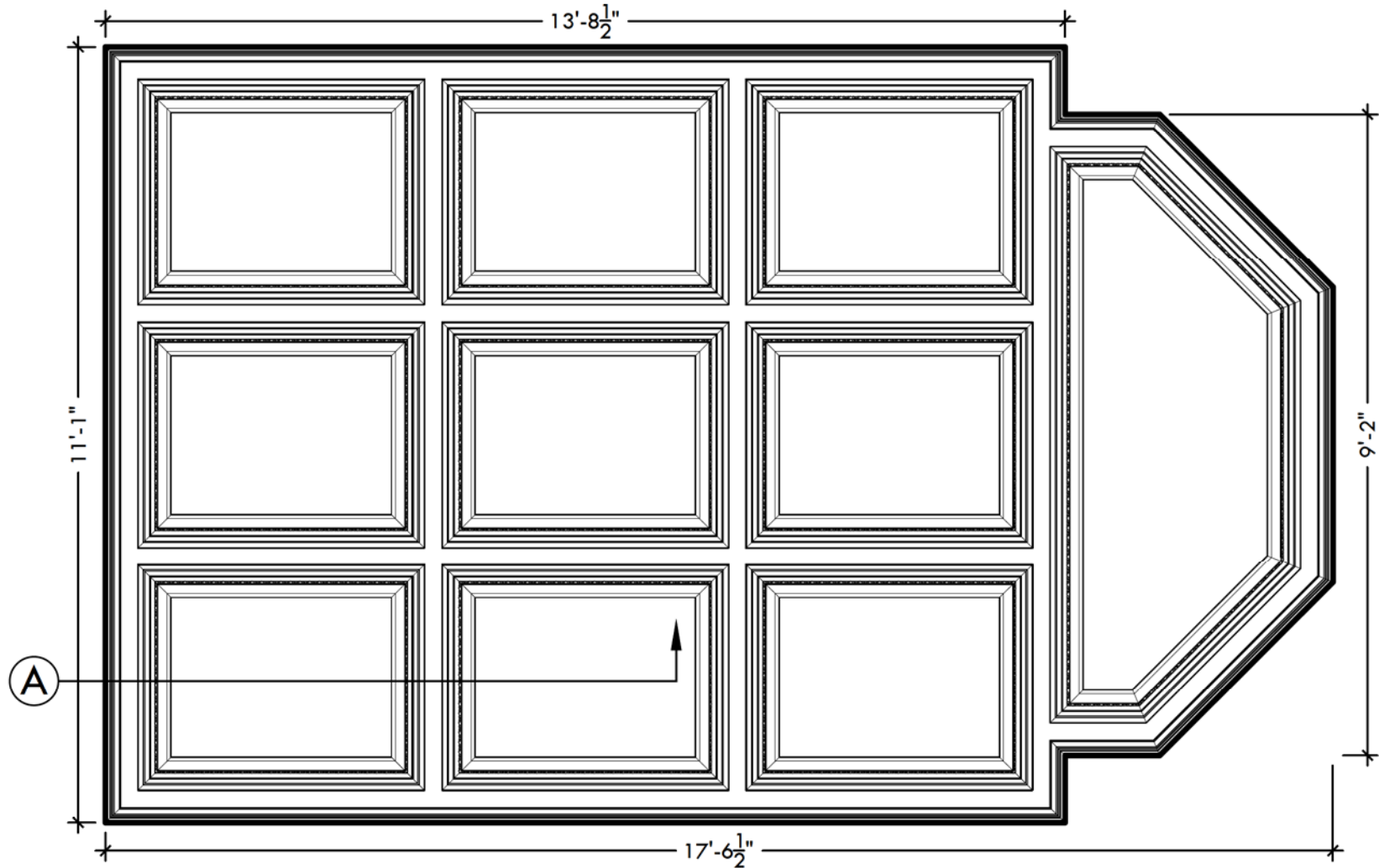
See page BC709-A
for entire ceiling.

BC710-A -- Decorative Beamed Ceilings

17'-6 1/2"w x 11'-1"h x 12 5/8"d

5346.7 x 3378.2 x 320.7 mm

CAD DWG available upon request

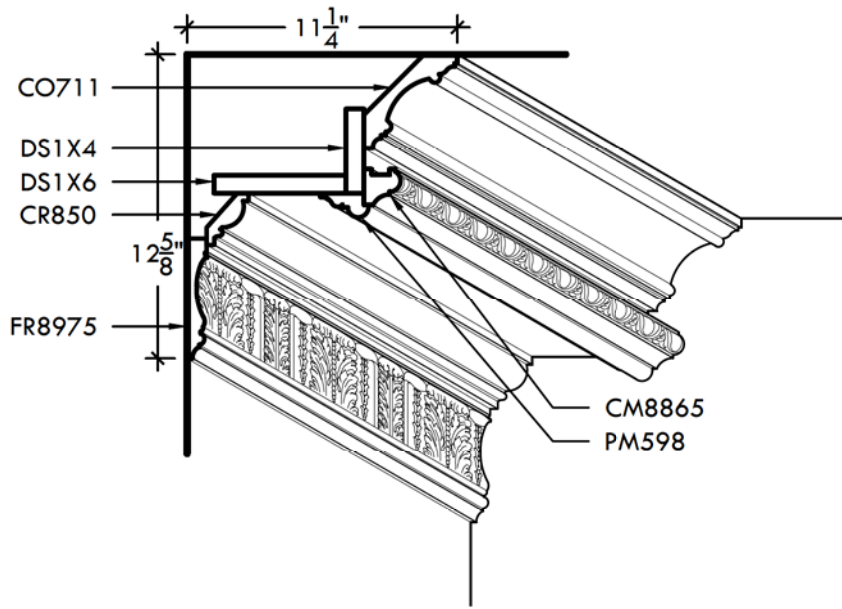


Cornice designed for a 10'h ceiling, but can be adapted to other heights.

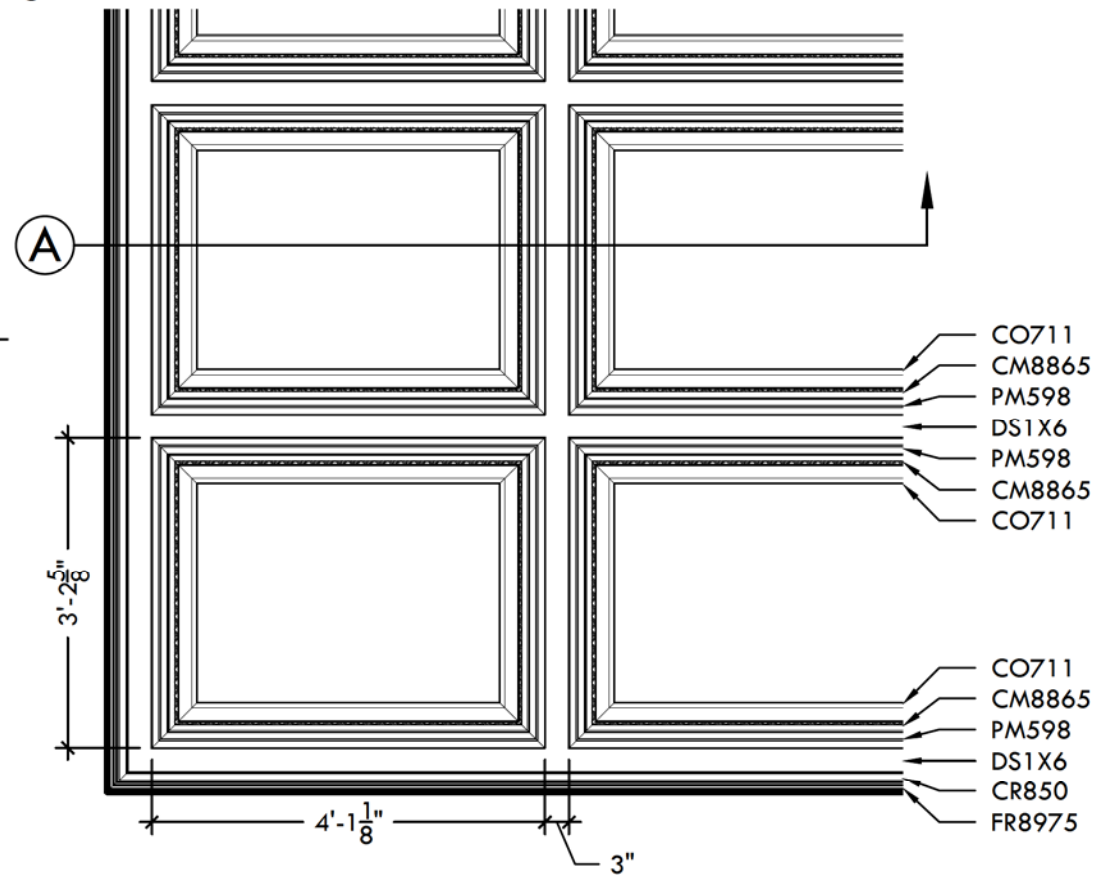
See page BC710-B for ceiling details.

BC710-B -- Decorative Beamed Ceilings

All mouldings are in Poplar or resin
CAD DWG available upon request



CORNICE DETAIL - Scale : 1 1/2" = 1'-0"



SECTION A - Scale : 1" = 1'0
See cornice detail above

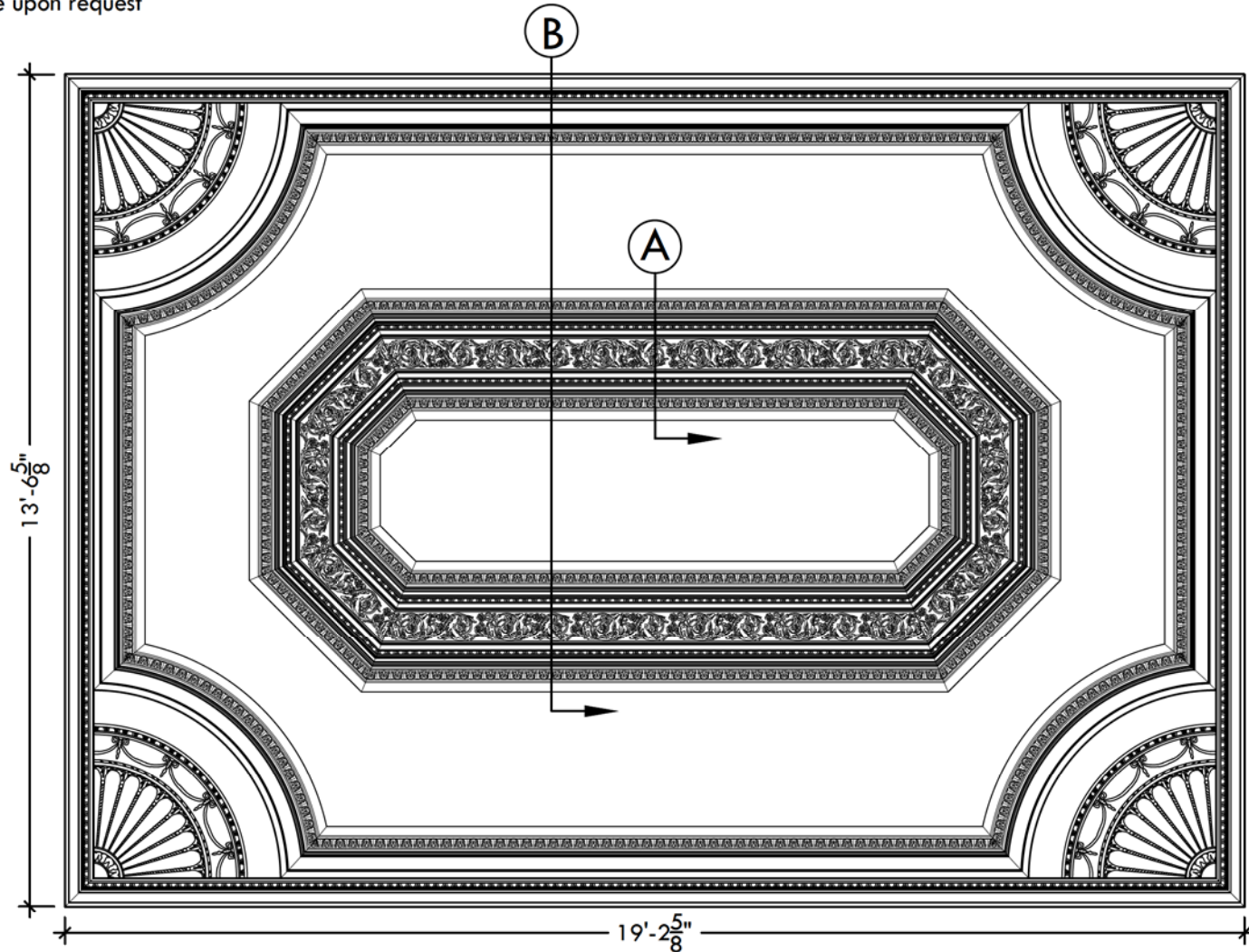
See page BC710-A
for entire ceiling.

BC711-A -- Decorative Tray Ceilings

19'-2 5/8" w x 13'-6 5/8" h x 10 3/8" d

5857.9 x 4130.7 x 263.5 mm

CAD DWG available upon request

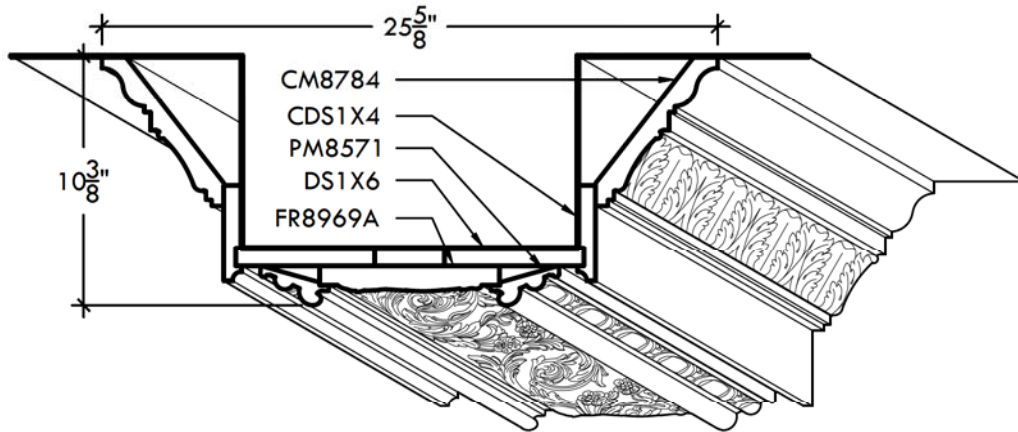


Cornice designed for a 10'h ceiling, but can be adapted to other heights.

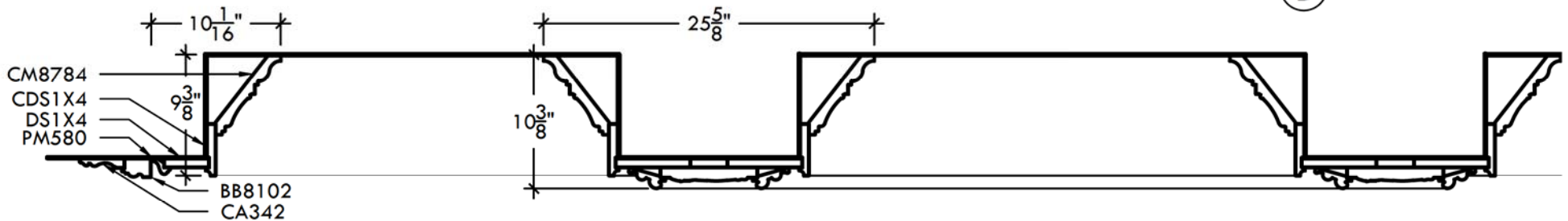
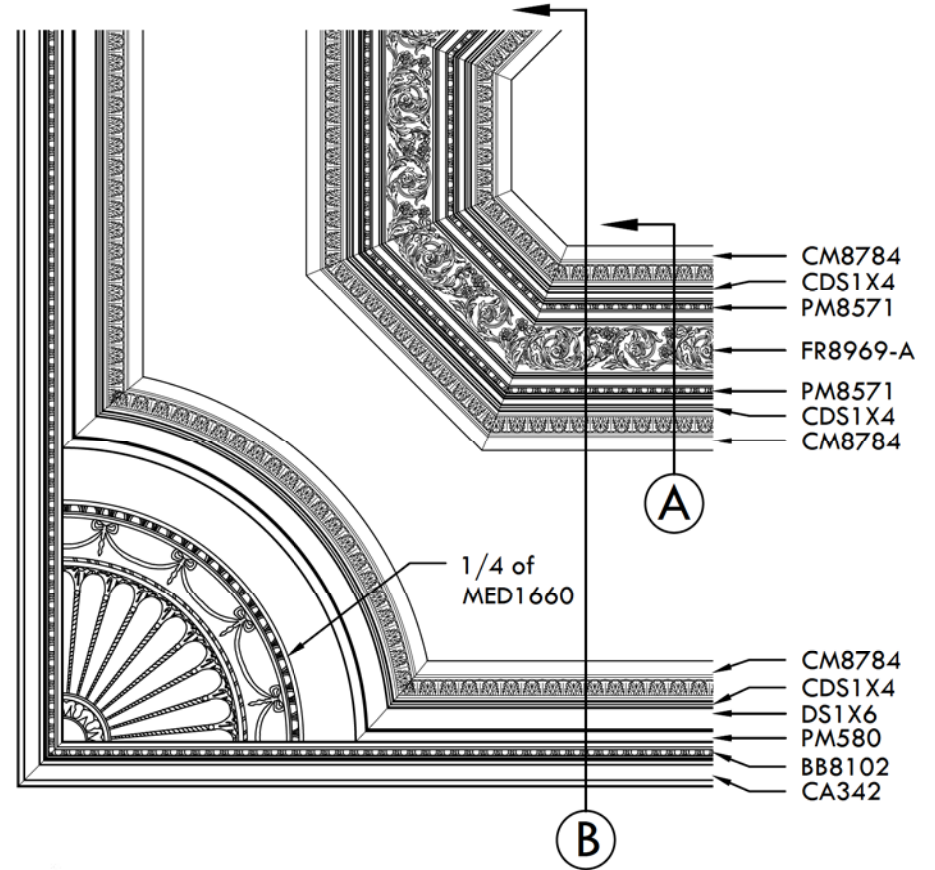
See page BC711-B for ceiling details.

BC711-B -- Decorative Tray Ceilings

All mouldings are in Poplar or resin
CAD DWG available upon request



BEAM DETAIL A - Scale : 1 1/2" = 1'-0"



SECTION B - Scale : 1" = 1'-0"

See beam detail above

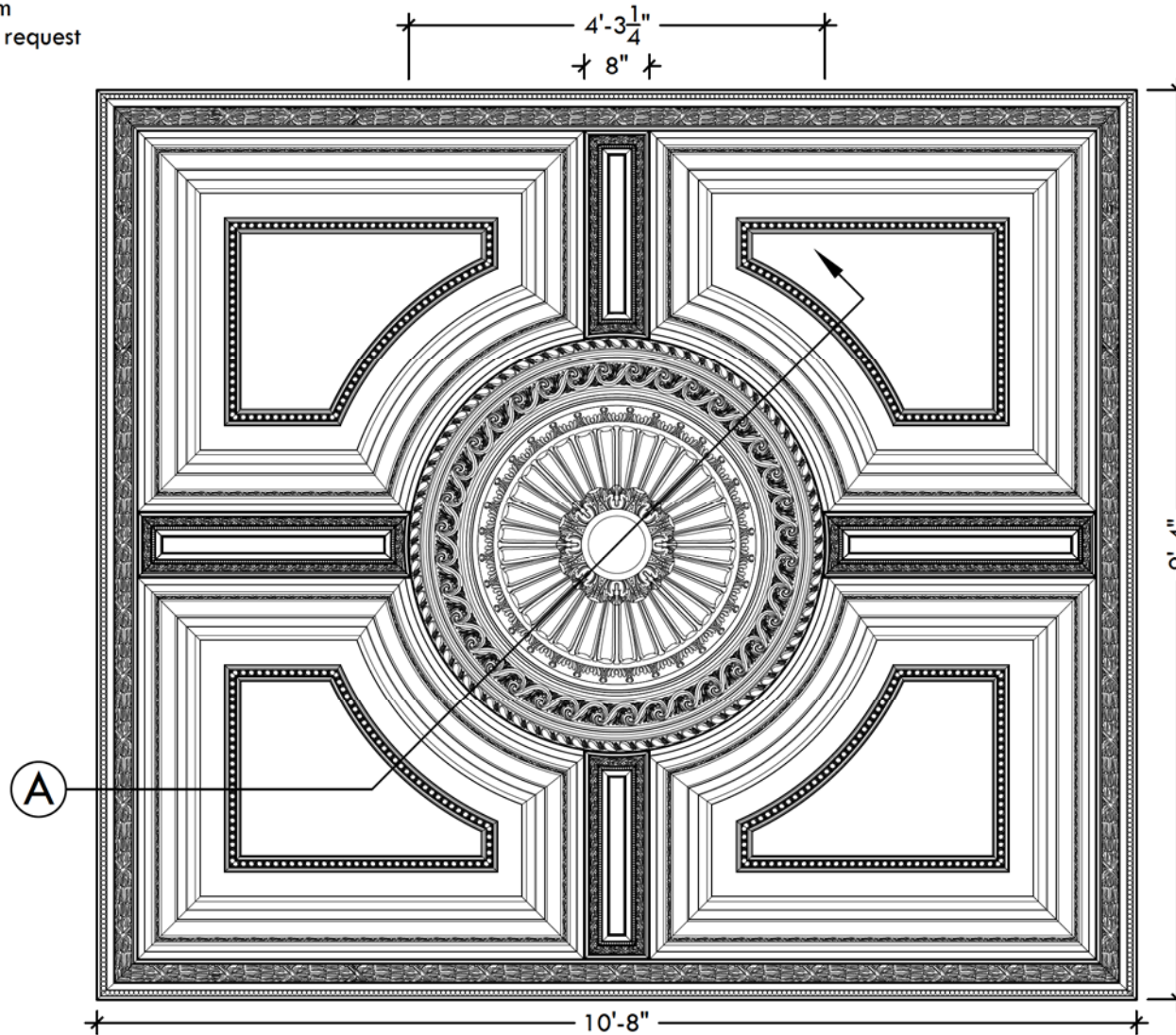
See page BC711-A
for entire ceiling.

BC712-A -- Decorative Beamed Ceilings

10'-8"w x 9'-4"h x 10"d

3251.2 x 2844.8 x 254 mm

CAD DWG available upon request

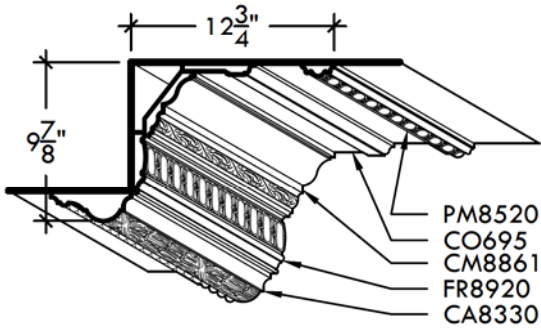


Cornice designed for a 10'h ceiling, but can be adapted to other heights.

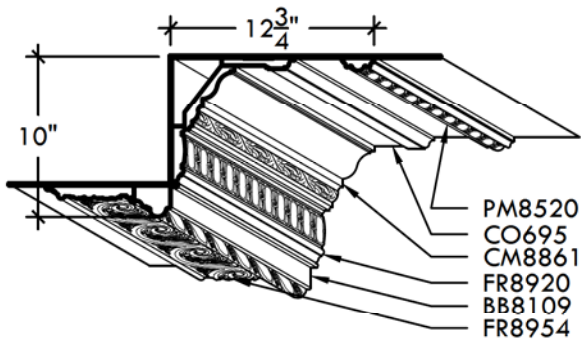
See page BC712-B for ceiling details.

BC712-B -- Decorative Beamed Ceilings

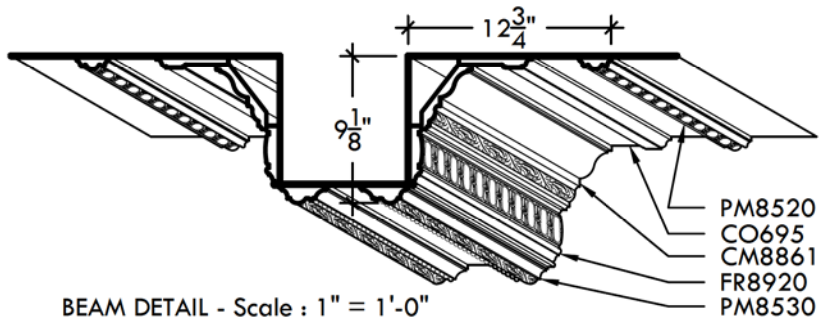
All mouldings are in Poplar or resin
CAD DWG available upon request



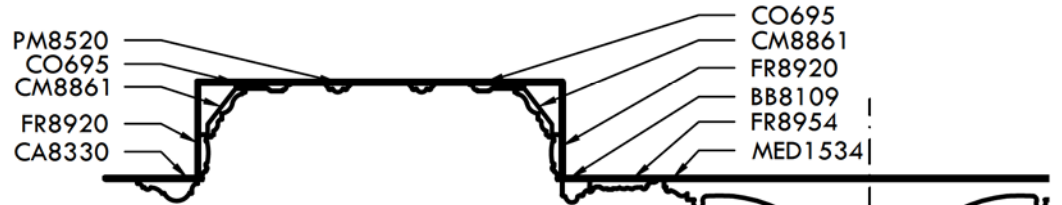
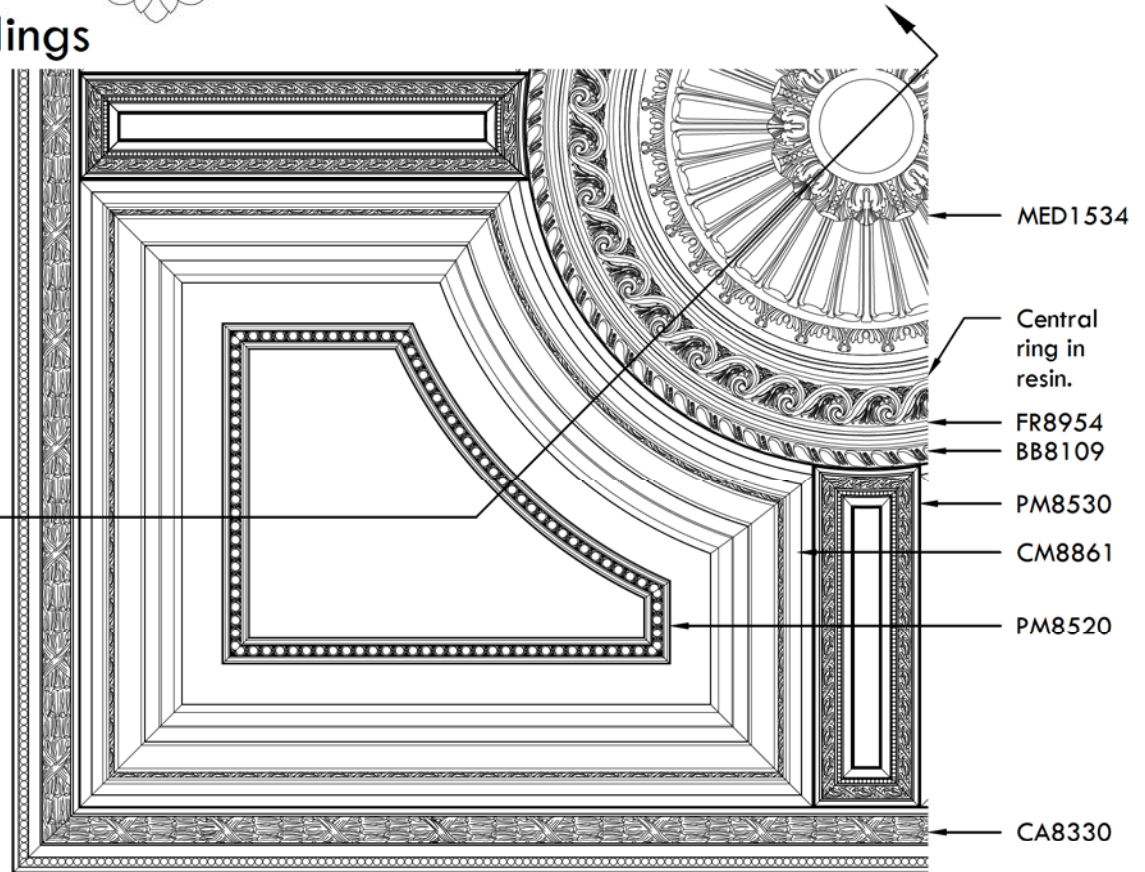
PERIMETER CORNICE DETAIL - Scale : 1" = 1'-0"



CENTRAL CORNICE DETAIL - Scale : 1" = 1'-0"



BEAM DETAIL - Scale : 1" = 1'-0"



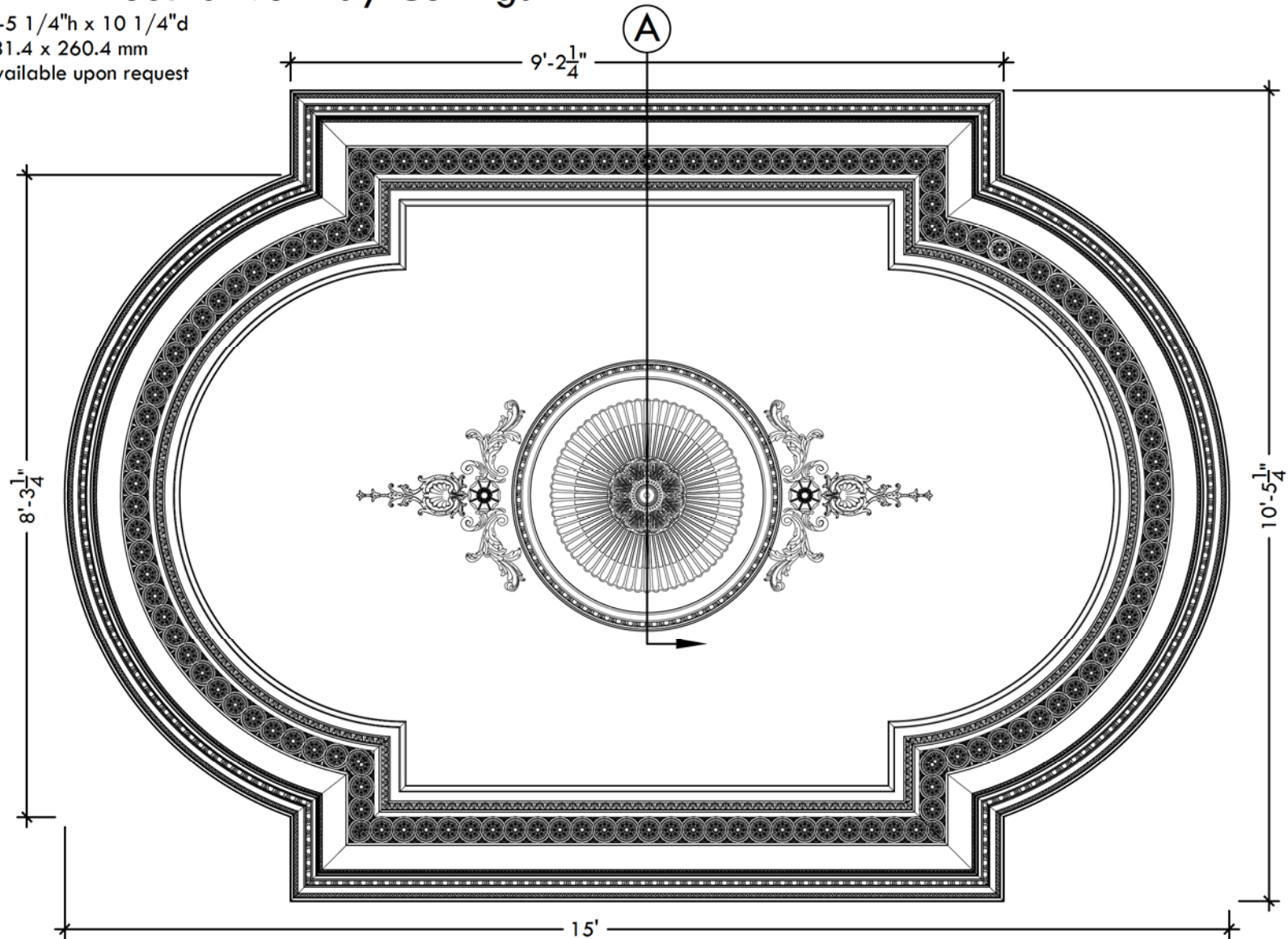
SECTION A - Scale : 3/4" = 1'0

See cornice detail above

See page BC712-A
for entire ceiling.

BC713-A -- Decorative Tray Ceilings

15'-0"w x 10'-5 1/4"h x 10 1/4"d
4572.0 x 3181.4 x 260.4 mm
CAD DWG available upon request

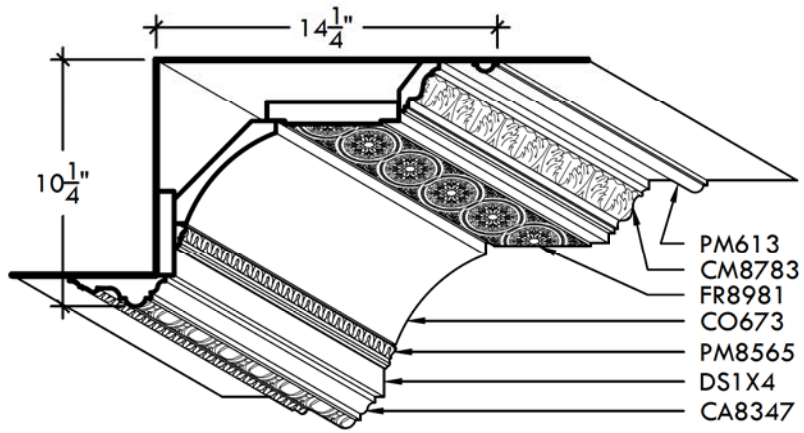
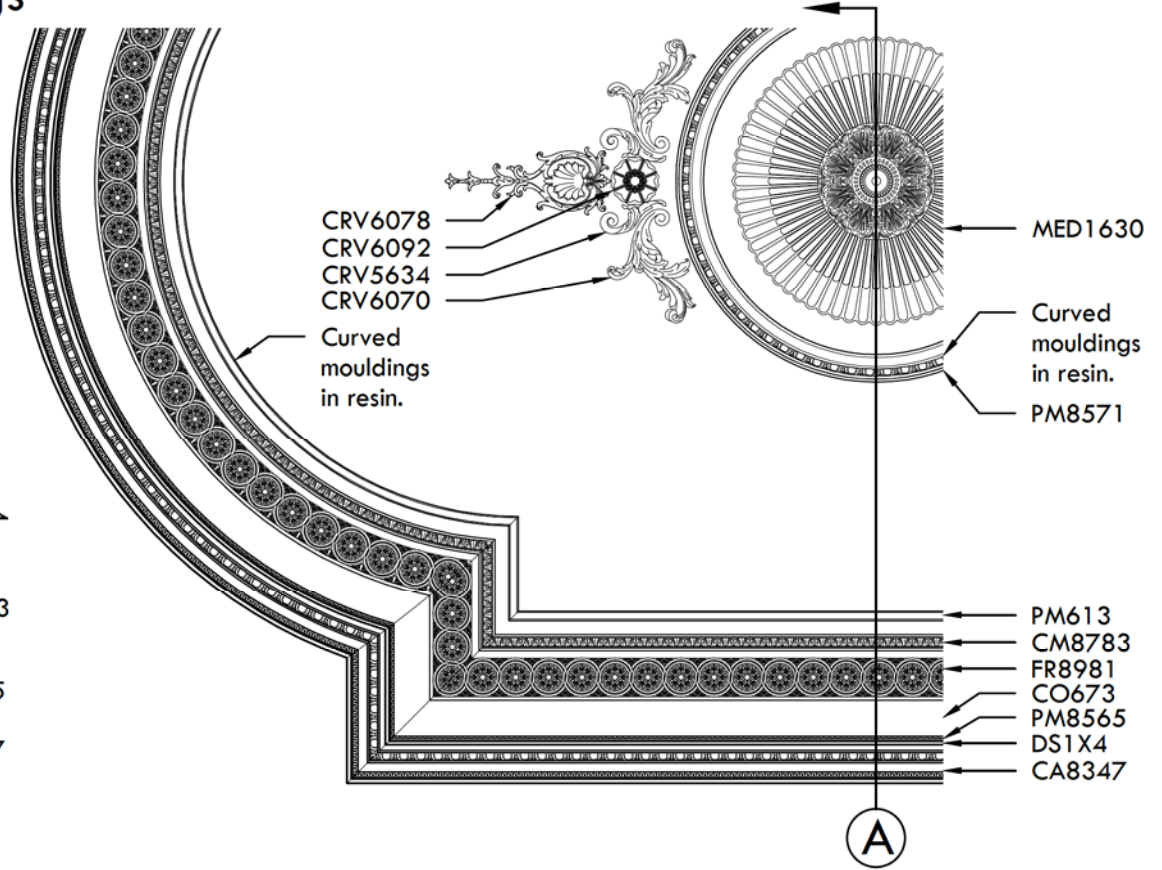


Cornice designed for a 10'h ceiling, but can be adapted to other heights.

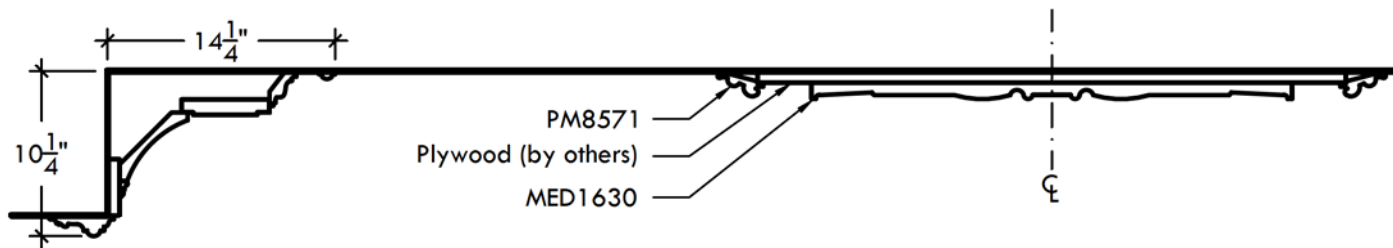
See page BC711-B for ceiling details.

BC713-B -- Decorative Tray Ceilings

All mouldings are in Poplar or resin
 CAD DWG available upon request



CORNICE DETAIL - Scale : 1 1/2" = 1'-0"



SECTION A - Scale : 1" = 1'-0
 See beam detail above

See page BC713-A
 for entire ceiling.