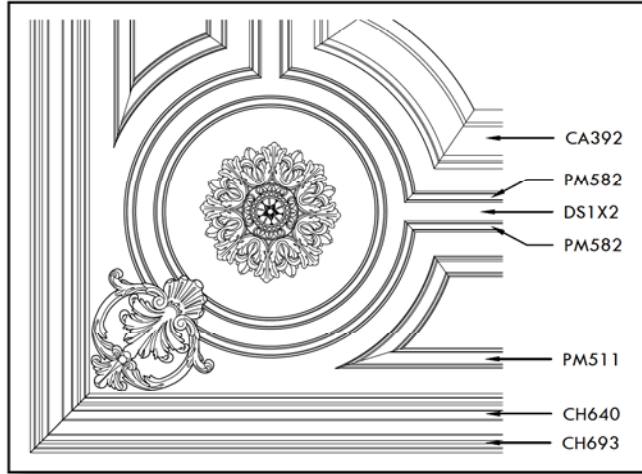


# Design Elements Catalogs

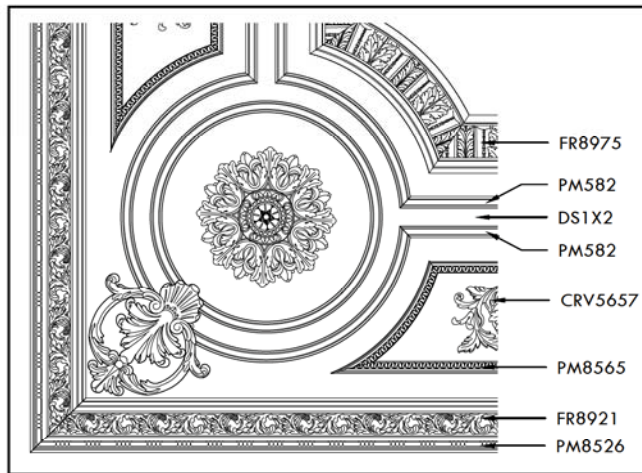
## Style Made Easy Online by White River

White River's 10 online Design Elements Catalogs offer a wide variety of carefully considered and properly proportioned architectural elements. From intricate ceiling designs and panelled walls to mantels, door surrounds, cabinetry and more. White River's Design Team strives to offer a range of Traditional and Ornate Classically inspired designs. Included are the specifications that help you understand and make decisions about these important and lasting architectural elements for your interiors.

### Traditional to Ornate Design Elements

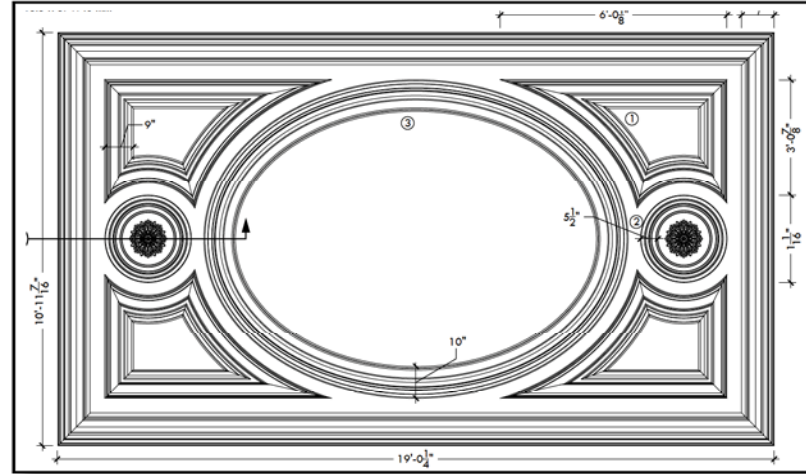


Complex, beautiful designs specifying in-stock products from our Traditional Moulding Collection and Woodcarvings

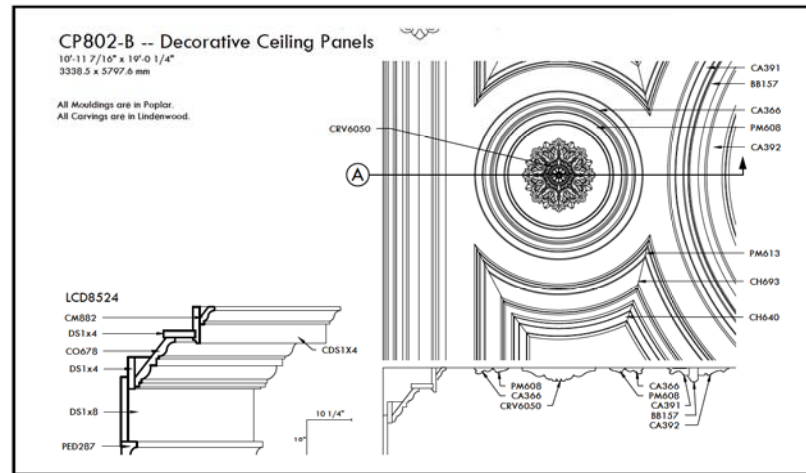


Ornate Classical motifs, specifying in-stock products from our Mon Reale® Moulding Collection and Woodcarvings

### Reflected Ceiling Designs & Detailed Information



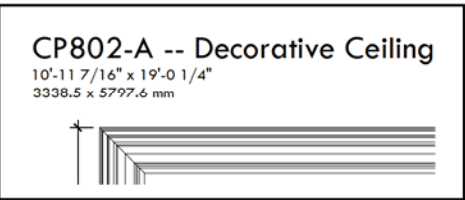
Reflected ceiling plan shows overall design and complete dimensions



Detailed information includes moulding section, size, product & installation specifications

### Numbering System

- Individual Design Catalogs are in alphanumerical order. Examples - MAN952, MAN953, MAN954
- Design Elements that have multiple pages are denoted with an A or B. Examples - CAB150-A, CAB150-B, CP857-A, CP857-B
- Design Element numbers located top left corner of page



### White River's Design Services

White River's Design Services can re-scale all designs to fit your wall and ceiling sizes. We can modify the design in any way needed. We can do a take-off and offer a quote for one room or your entire job. This is a fee-based service. To request a CAD dwg file of design elements from all catalogs, click on the Download CAD link request.

### From the Flipbook

You can [Print](#) [Download](#) [Share](#) [Zoom](#)

### Contact Us Today!

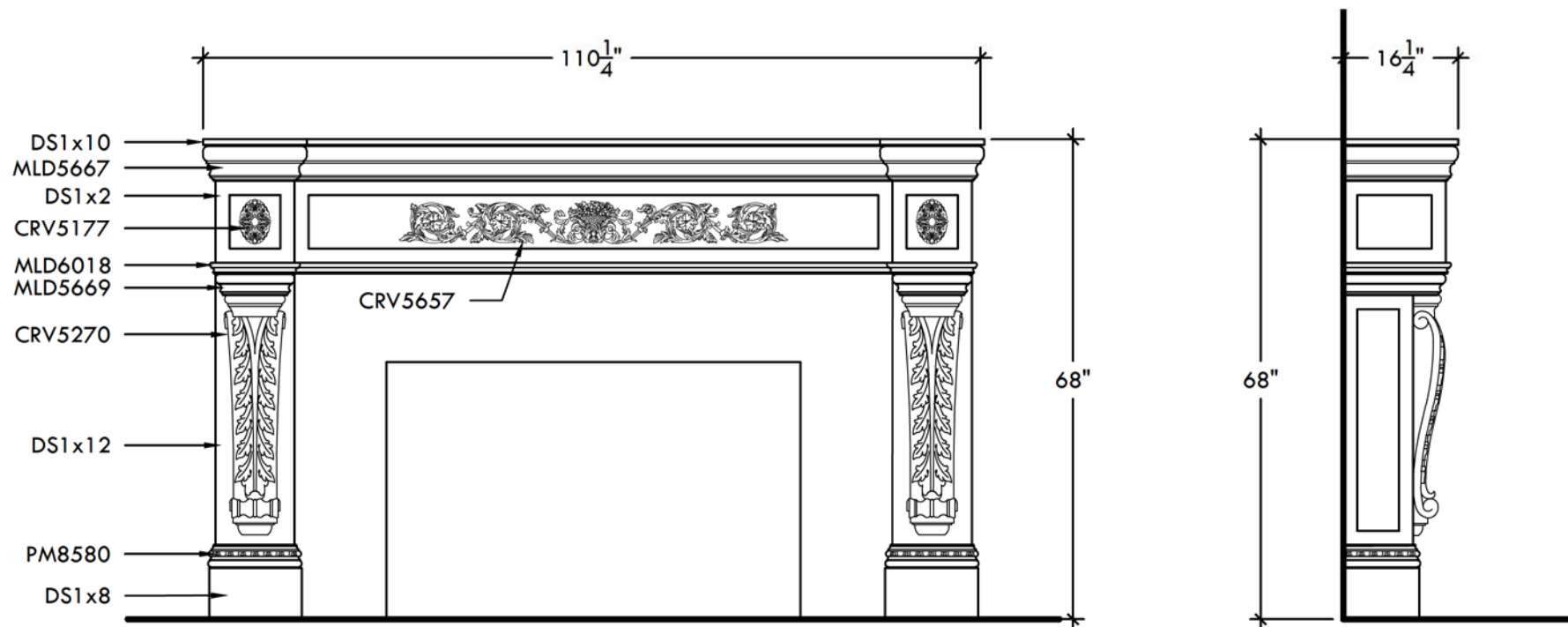
For more information, call (800) 558-0119 ext. 110 and ask for Design Services or email [Designs@WhiteRiver.com](mailto:Designs@WhiteRiver.com).

# MAN950 -- Decorative Mantel

110 1/4" w x 68" h x 16 1/4" d  
2800 x 1727 x 413 mm  
CAD DWG available upon request  
All mouldings are Poplar  
Carvings are Lindenwood and Maple/Cherry

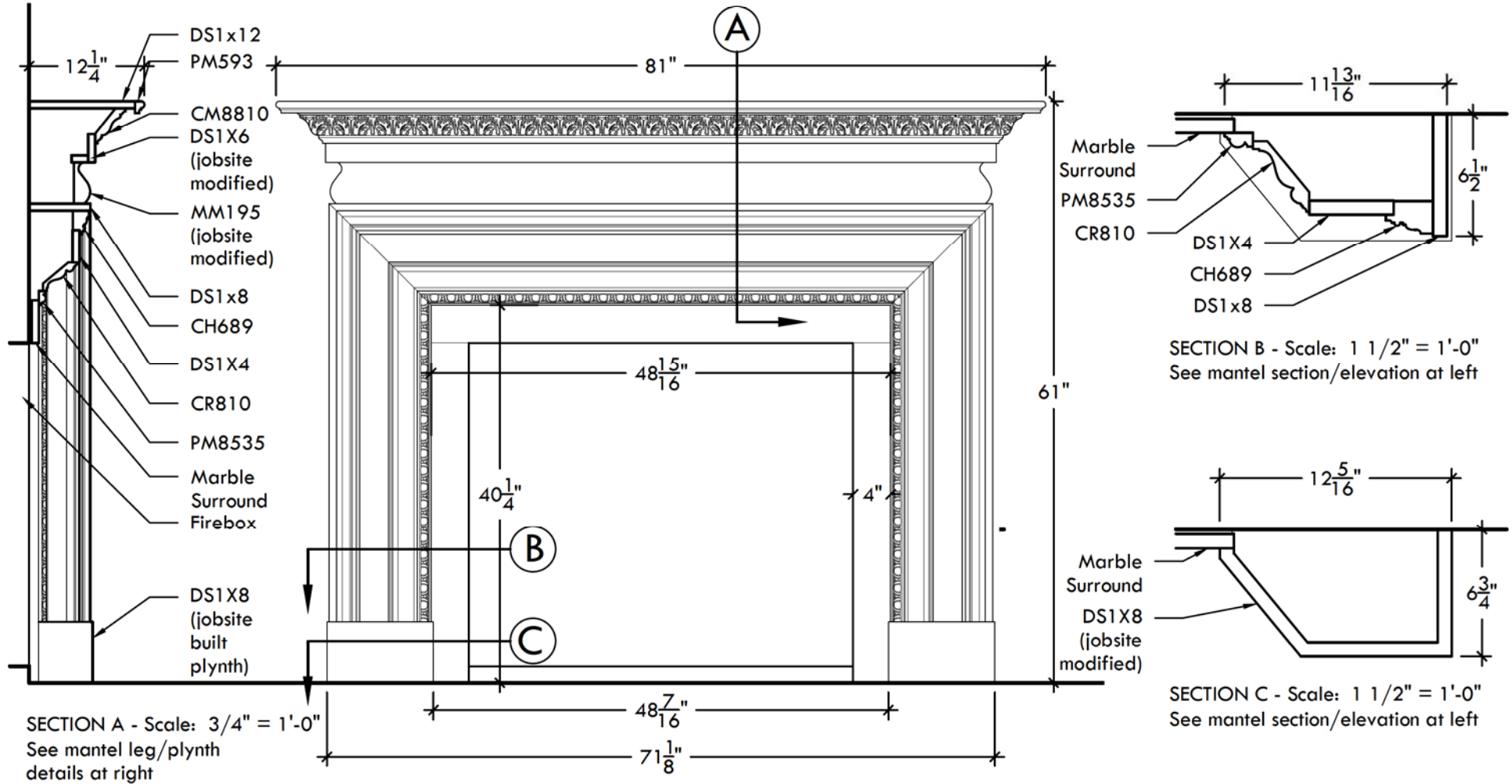
Woodcarvings:

CRV5177 Oval Rosette; Lindenwood  
CRV5657 Rinceau Scrolls w/ Floral Basket; Maple/Cherry  
CRV5270 Grand Acanthus Corbel; Maple/Cherry



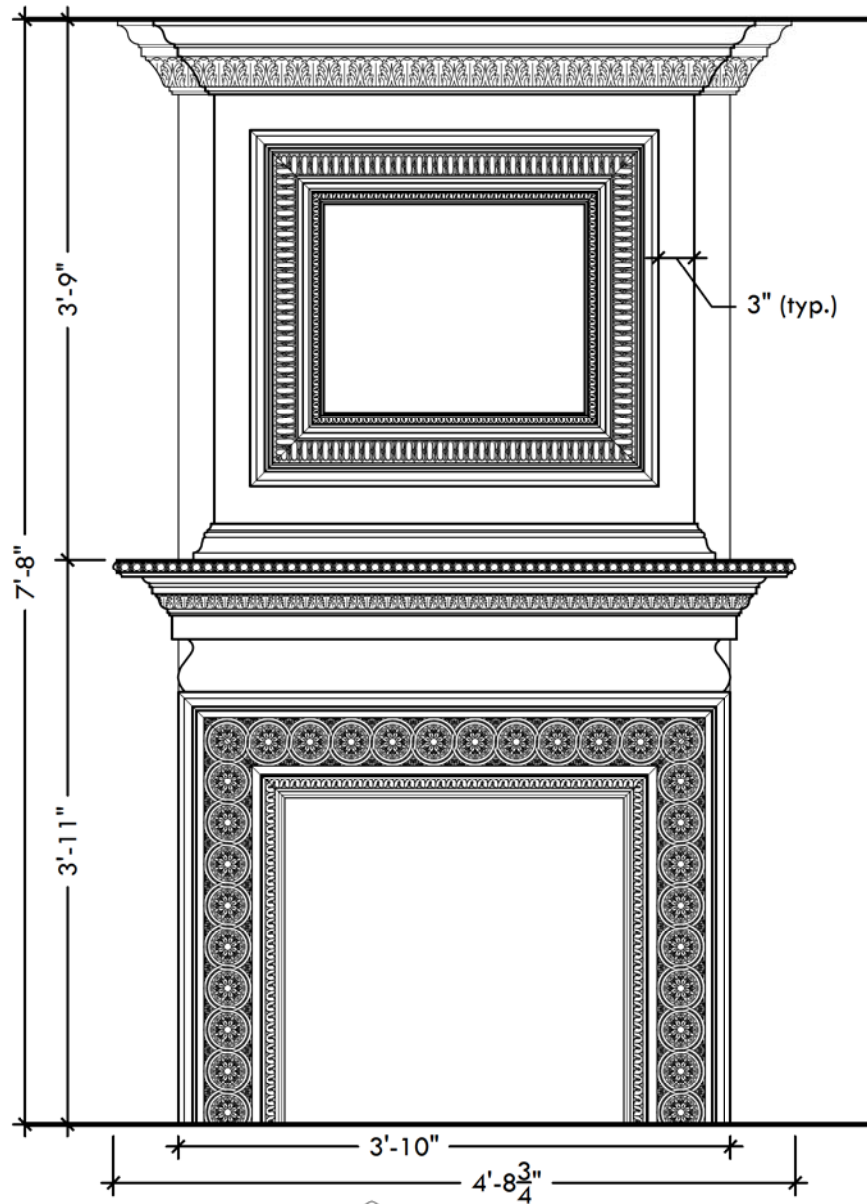
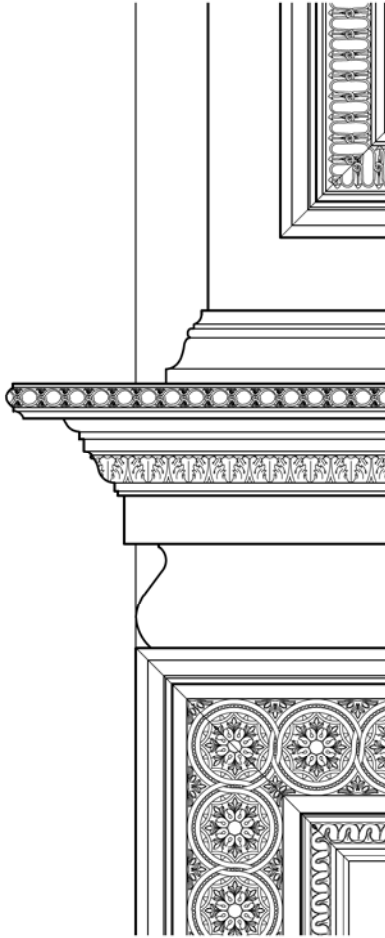
# MAN951 -- Decorative Mantel

81" w x 61" h x 12 1/4" d  
 2057.4 x 1549.4 x 311.2 mm



# MAN952 -- Decorative Mantel

4'-8 13/16" w x 7'-8" h x 9 1/4" d  
 1443.0 x 2336.8 x 235.0 mm  
 CAD DWG available upon request



CM8784  
 DS1X6  
 BB162  
 FR8920  
 PM8565

PM8565  
 FR8920  
 BB162  
 DS1X8  
 PED287

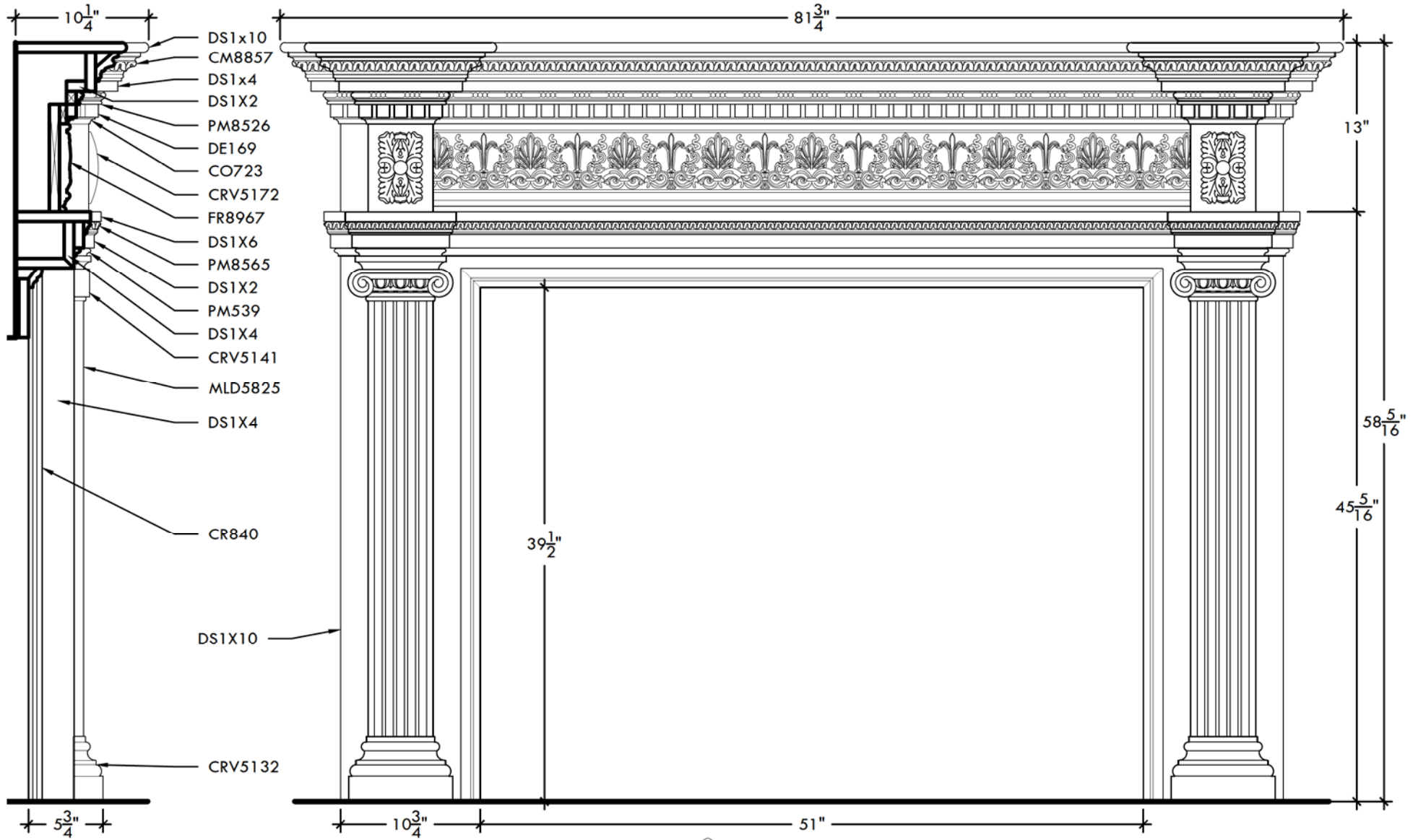
BB8110  
 CM8784  
 DS1X4  
 DS1X2  
 MM195  
 BB162  
 FR8981  
 CM8857

9 1/4"

# MAN953 -- Decorative Mantel

81 3/4" w x 58 5/16" h x 9 1/4" d

2076.5 x 1481.1 x 235 mm



**White River**

Design Services Department

©White River Hardwoods-Woodworks, Inc.®

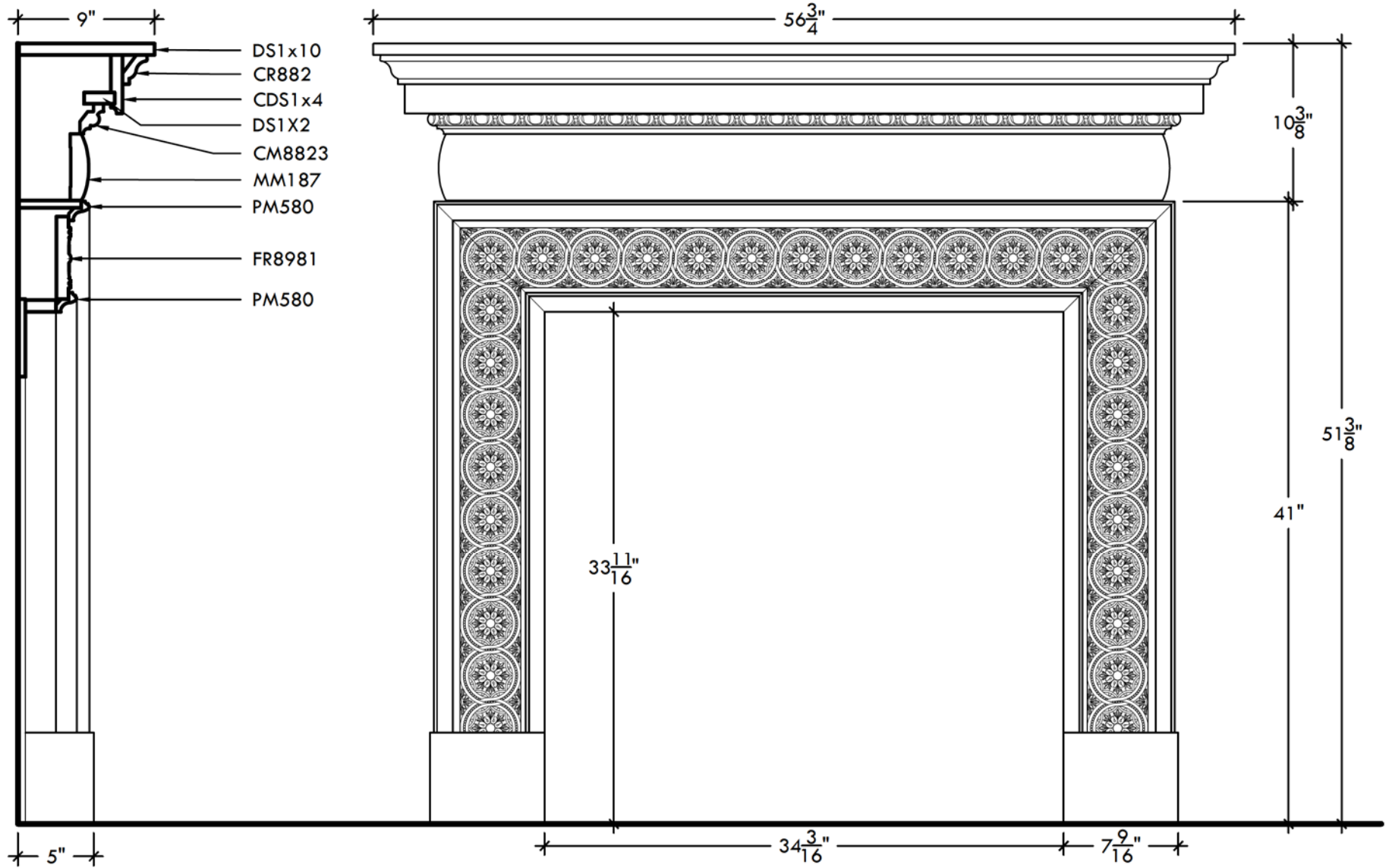
1-800-558-0119

www.WhiteRiver.com

# MAN954 -- Decorative Mantel

56 3/4"w x 51 3/8"h x 9"d

1441.5 x 1304.9 x 228.6 mm



# MAN955 -- Decorative Mantel

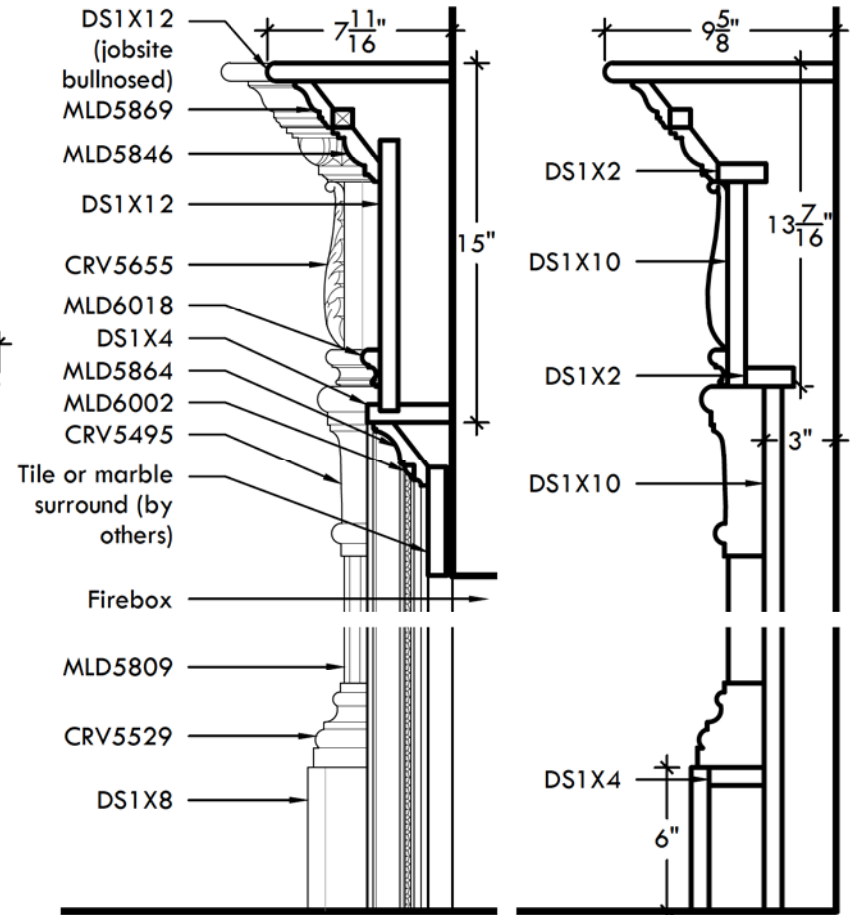
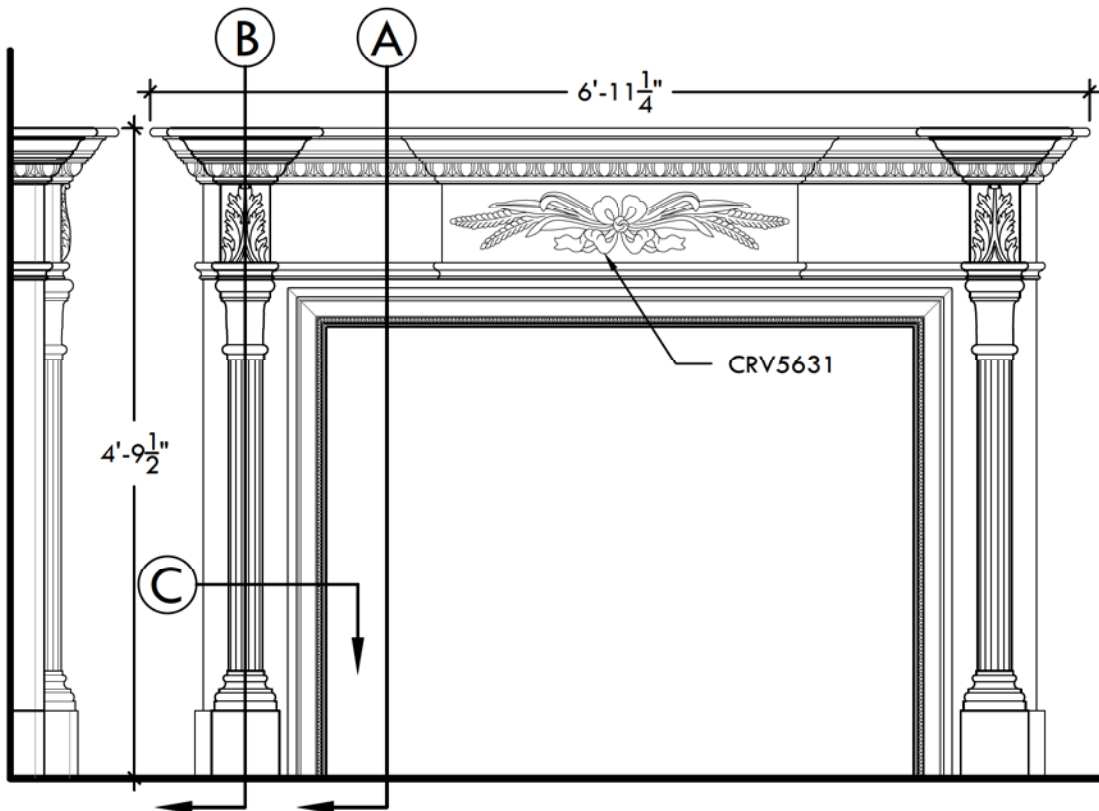
6'-11 1/4" w x 4'-9 1/2" h x 9 5/8" d

2114.6 x 1460.5 x 244.5 mm

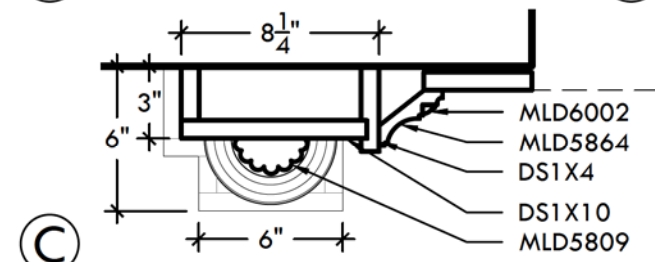
CAD DWG available upon request

All mouldings are Poplar or Maple/Cherry

All carvings are Maple/Cherry



(A) (B)



(C)

# MAN956 -- Decorative Mantel

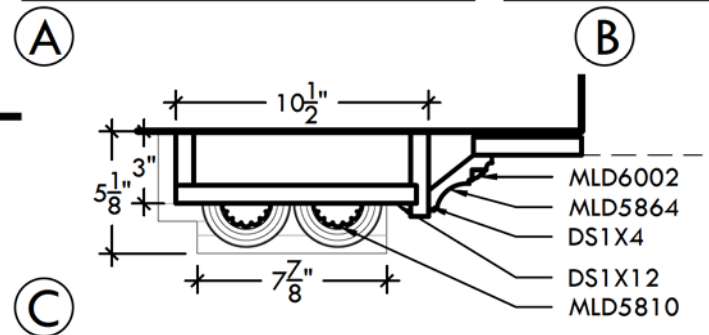
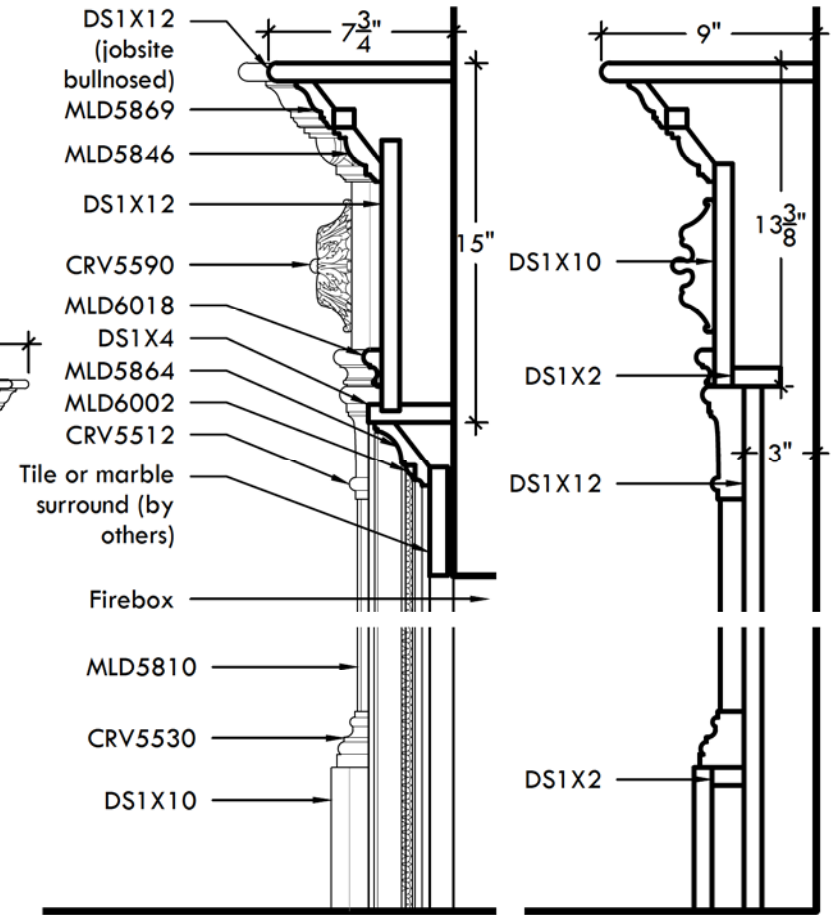
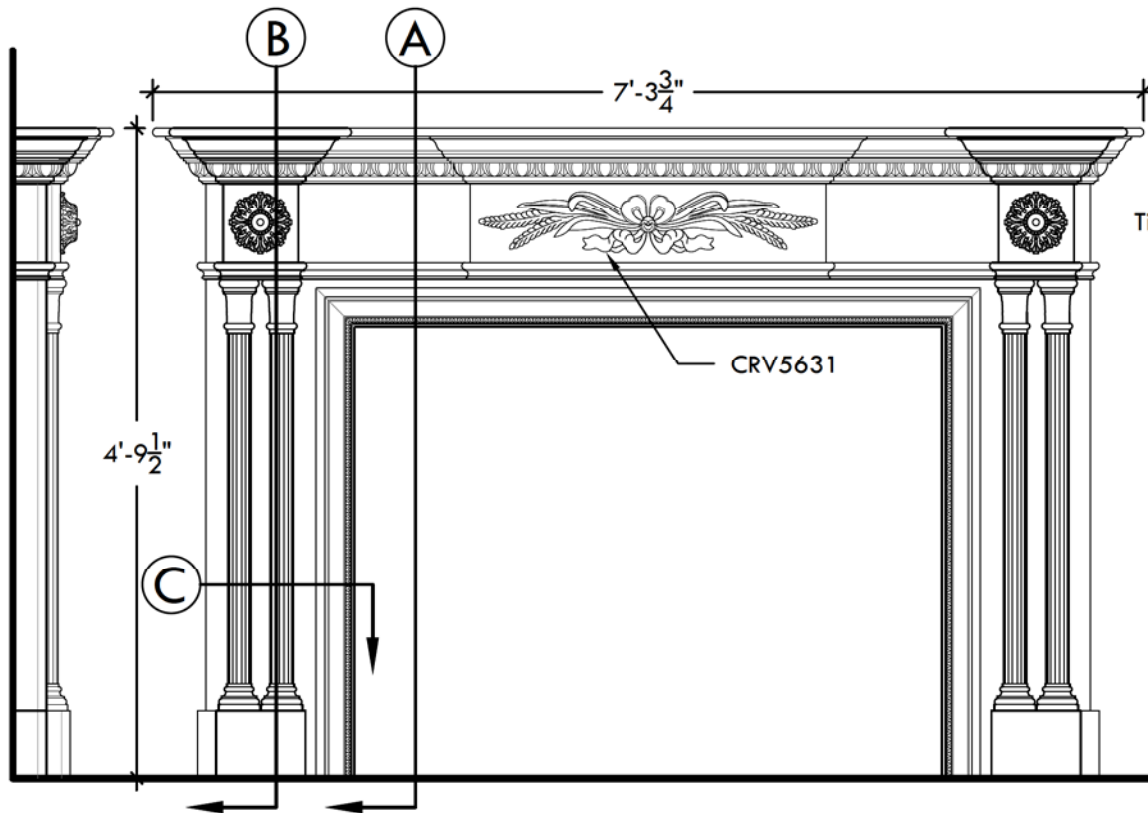
7'-3 3/4"w x 4'-9 1/2"h x 9"d

2228.9 x 1460.5 x 228.6 mm

CAD DWG available upon request

All mouldings are Poplar or Maple/Cherry

All carvings are Maple/Cherry





# MAN957 -- Decorative Mantel

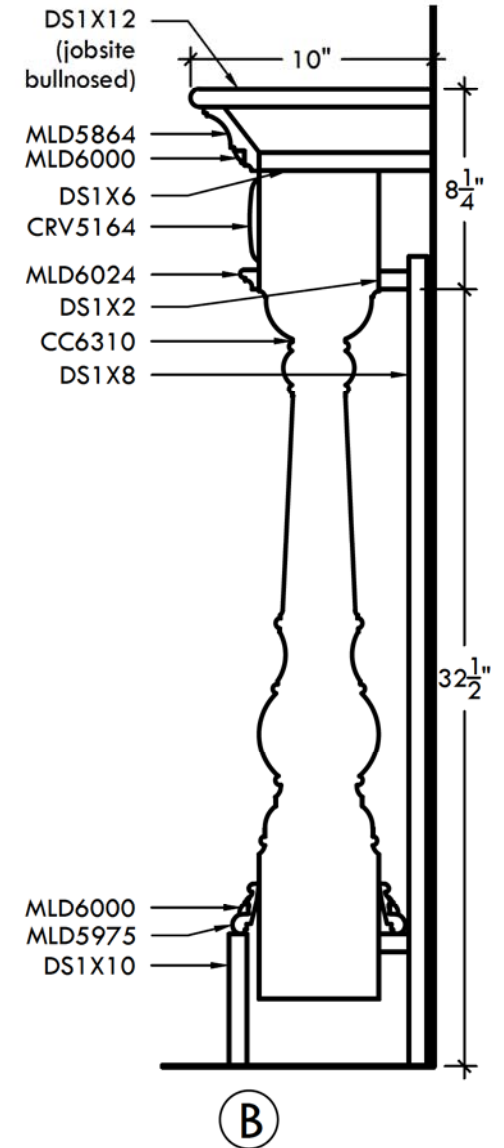
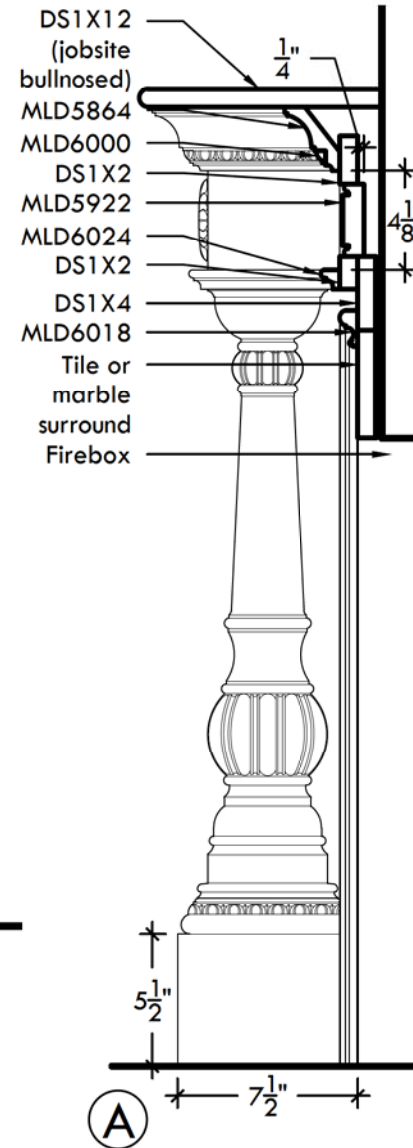
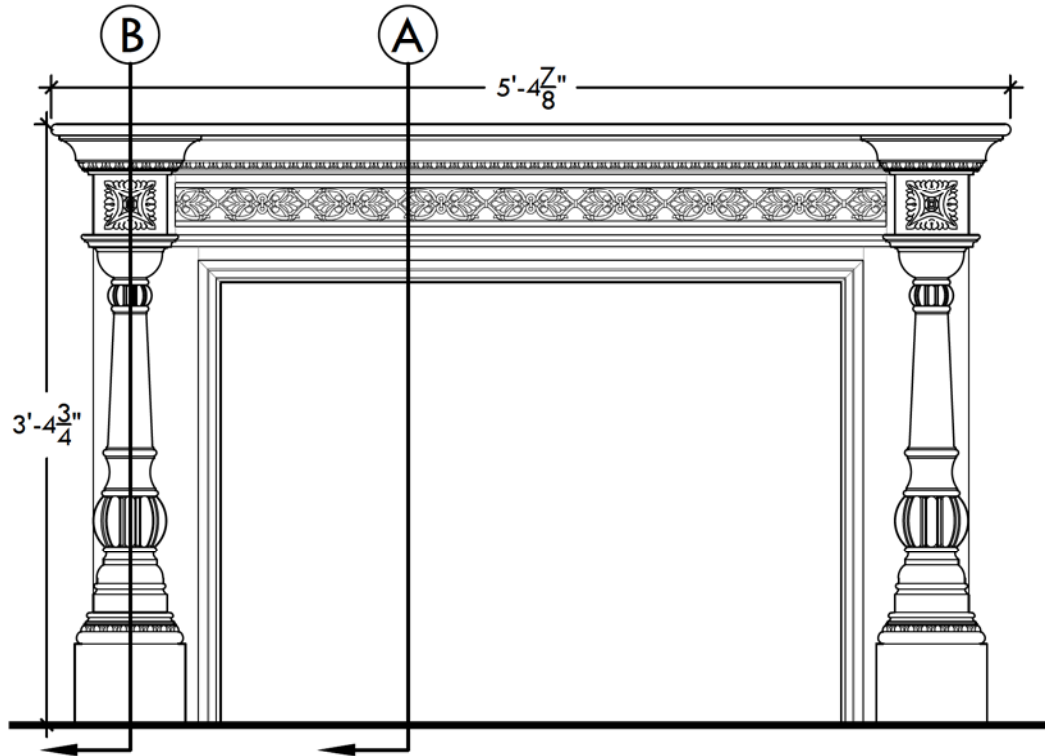
5'-4 7/8" w x 3'-4 3/4" h x 10" d

1647.8 x 1035.1 x 254.0 mm

CAD DWG available upon request

All mouldings are Poplar or Maple/Cherry

All carvings are Maple/Cherry



# MAN958 -- Decorative Mantel

8'-7" w x 11'-11 1/4" h x 3'-1 1/2" d

2616.2 x 3638.55 x 952.5 mm

CAD DWG available upon request

All mouldings are Poplar or Maple/Cherry

All carvings are Maple/Cherry

